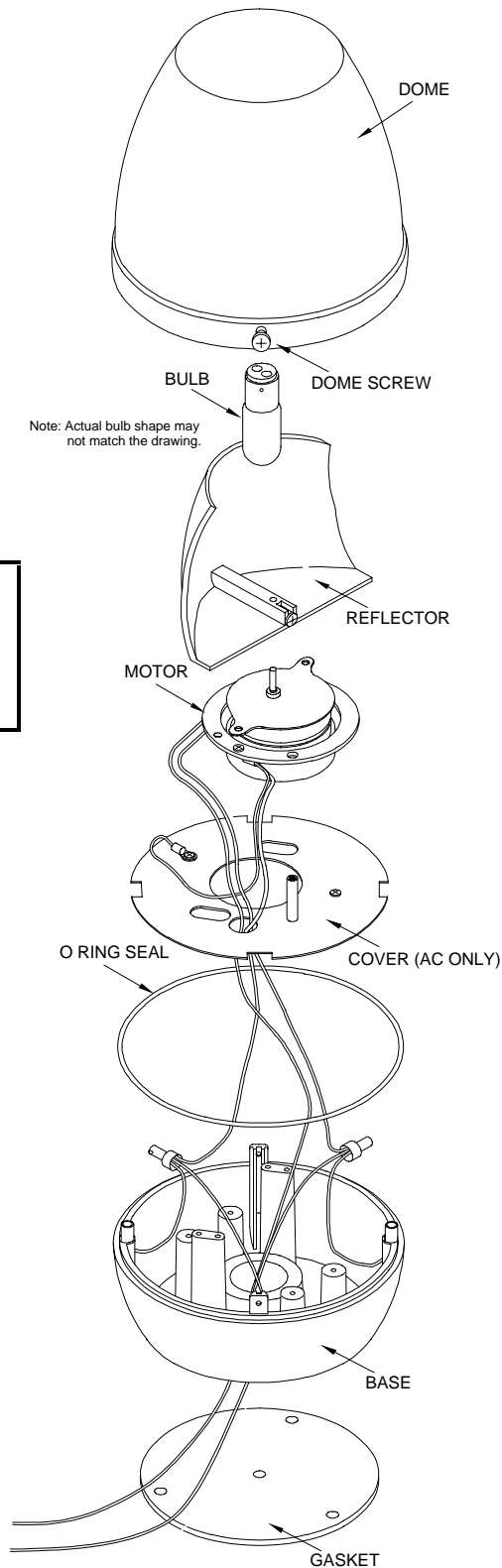


Route 145, Winthrop Road
Chester, CT 06412-0684
TELEPHONE: (860) 526-9504
TOLL FREE: 1-800-637-4736
FACSIMILE: (860) 526-4784

IR3 SERIES ROTATING BEACONS

IR3120I, 120 VOLTS AC
IR3120H, 120 VOLTS AC
IR3024I, 24 VOLTS DC
IR3024H, 24 VOLTS DC



WARNING ALWAYS DISCONNECT POWER BEFORE SERVICING OR INSTALLING AN IR3 SERIES BEACON.

SEE OTHER SIDE OF PAGE FOR REPLACEMENT PARTS LISTING.

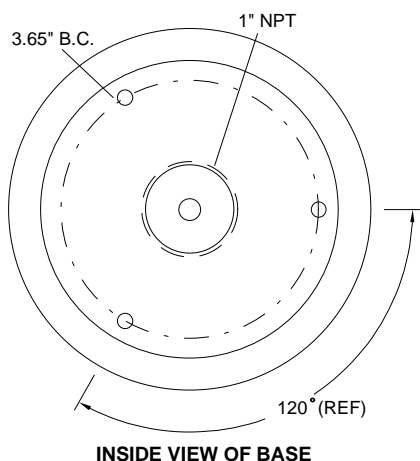
IR3 SERIES REPLACEMENT PARTS LISTING

DESCRIPTION	QTY.	PART NUMBER	IR3024I	IR3024H	IR3120I	IR3120H
LAMP BULB, 24 VDC, Incandescent	1	34-0428050-6B	■			
LAMP BULB, 24 VDC, Halogen	1	34-0022327-00		■		
LAMP BULB, 120 VAC, Incandescent	1	34-0412150-59			■	
LAMP BULB, 120 VAC, Halogen	1	34-0022326-00				■
MOTOR, 24 VDC	1	27-0241334-02	■	■		
MOTOR, 120 VAC	1	27-0216182-02			■	■
DOME, AMBER	1	02-0281402-10	■	■	■	■
DOME, BLUE	1	02-0281402-20	■	■	■	■
DOME, CLEAR	1	02-0281402-30	■	■	■	■
DOME, GREEN	1	02-0281402-40	■	■	■	■
DOME, RED	1	02-0281402-50	■	■	■	■
REFLECTOR	1	68-5962665-00	■	■		
REFLECTOR	1	68-5961338-01			■	■
O RING SEAL	1	38-0441331-00	■	■	■	■
BASE HOUSING	1	11-381404-000	■	■	■	■
MOUNTING GASKET	1	38-0241332-00	■	■	■	■

MOUNTING INSTRUCTIONS

The IR3 Series Beacons are made for permanent flat mount or pipe mount on a 1" NPT thread.

PERMANENT MOUNT



1. Remove two Dome Screws. Remove the Dome. Save the O Ring Seal.
2. Locate the three mounting holes in the Base, as shown in the sketch above. Drill three 7/32" holes. The holes must be 120° apart to match the Gasket hole pattern.
3. Feed the wires through the Gasket. Keeping the wires in the wire slot, align the Base over the Gasket and mount with three 5/8" sheet metal screws. Make sure that the wires are in the wire slot and not pinched under the Base.
4. Align the Dome wires and place the Dome over the Base. Roll the O Ring down the Dome, to get it in position. Position the O Ring, compress the Dome and screw in the two Dome Screws.

PIPE MOUNT

1. Feed the power wires through the pipe.
2. Wire according to the WIRING instructions below.
3. Screw the base onto the 1" NPT pipe and hand tighten.

WIRING INSTRUCTIONS

Select the wiring instructions for the Model that is being installed.

MODELS IR3024I and IR3024H

1. Connect the RED wire to the positive DC voltage (+).
2. Connect the BLACK wire to DC ground (-).

MODELS IR3120I and IR3120H

1. Connect the GREEN wire to the AC service green wire (ground).
2. Connect the BLACK wire to the AC service black wire (hot).
3. Connect the WHITE wire to the AC service white wire (neutral).

Refer to the IR3 Series Product Sheet for current draw to determine the proper wire gauge.

BULB REPLACEMENT

1. Disconnect power.
2. Remove the Dome Screws from the Dome. Save the O Ring. Replace the Bulb.
3. Align the Dome wires and place the Dome over the Base. Roll the O Ring down the Dome, to get it in position. Position the O Ring, compress the Dome and screw in the two Dome Screws.