



Officially Licensed
Warning Lights of
NASCAR®

Guardian™ Series

STROBE OR HALOGEN MINI LIGHTBARS

G7PCRB
Permanent
Mount



G1VA / G2VA
Magnetic/Suction Mount



G5MCA
Magnetic
Mount

GUARDIAN SERIES MINI LIGHTBARS

Sleek styling, superior light output, universal mounting, as well as quiet and reliable operation make the Guardian Series of products your first choice for warning protection.

The Guardian Series is available in permanent, magnetic or magnetic/suction mount variations to meet your every need.

Multi-color configurations available with domes, filter kits or beacons.

HALOGEN

G1 and G2 Series

- Attention getting G1 Series with 135 RPM rotators, or G2 Series with 175 RPM rotators.
- Brilliant full size diamond mirror provides a total of 540 FPM for G1 or 700 FPM for G2.
- High Intensity 55 watt H1 bulbs (12 Volt Version).
- Large, precision engineered, wide-angle reflectors provide maximum intensity at all times.
- Quiet and reliable double ball bearing motor assembly with 3 year full factory warranty.
- Standard 12 VDC (24 VDC available upon request).

STROBE

G5 and G7 Series

- G5 Series with two Class 1, self-contained strobe beacons offer highly effective QuintFlash™ as well as a full sized diamond mirror. Each beacon provides 22-watts output, 19 joules and 72 FPM (288 FPM total).
- G7 Series with two remote strobe heads and built-in remote power supply offers our attention getting, alternating CometFlash® and a 1/2 sized diamond mirror. The built-in strobe power supply provides 40 watts, 12 joules and 120 FPM (480 FPM total).
- Hi/Low intensity control, standard.
- Strobe models are 12-24 VDC.
- Multi-color configuration with clear outer dome and color inner domes.
- 2 year warranty on power supply and 6 month warranty on strobe flash tube.



Available in all 5
safety colors

Form# GUAR0509



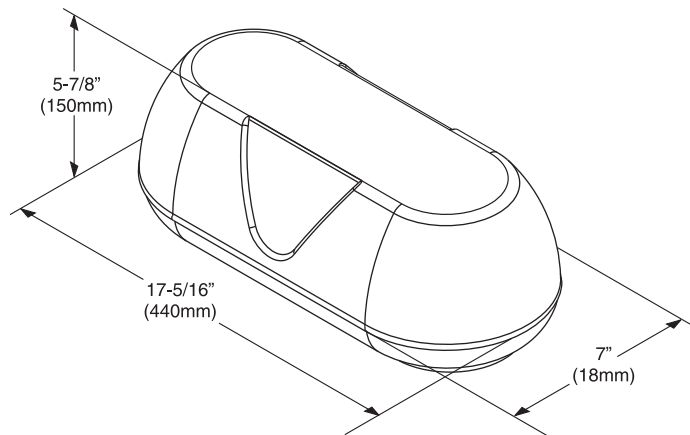
Designed
& Manufactured
in the U.S.A.

WHELEN®

Engineers for the Emergency Warning Industry

GUARDIAN™ SERIES SPECIFICATIONS

- Permanent bolt mount versions include 6" pigtail.
- Magnetic mount versions include four 50 lb. pull magnets, 8' straight cord and cigar plug.
- Magnetic/suction mount versions includes two 110 lb pull magnets overcoated with non-marring rubber with suction control. Includes 8' straight cord and cigar plug.

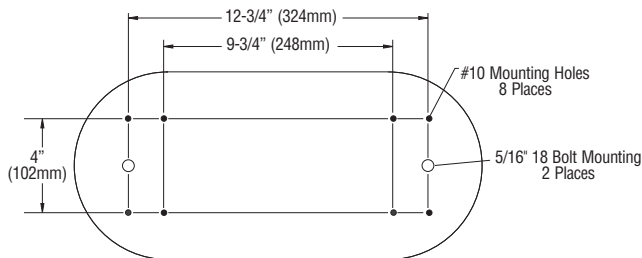


OPTIONS

- G1MM90 ... 90 lb. pull magnetic mount kit with cigar plug for G1, G2 and G5 Series.
- G7MM90 ... 90 lb. pull magnetic mount kit with cigar plug for G7 and G8 Series.
- INSTLRDX... Installation of G1MM90 or G7MM90 magnetic mount kit, permanent mount models only.
- KCF* Inner filter kit for G1/G2 Series halogen models, customer installed. (Use with clear outer dome.)

MOUNTING

Guardian Series has choice of mounting holes.



The use of any magnetic or magnetic/suction mounted warning beacon on the outside of a moving vehicle is not recommended and is at the sole risk of the user.

HALOGEN MODELS



G1 Series

Includes two 135 RPM rotators and full size diamond mirror.
 G1M*magnetic mount.
 G1P*permanent mount.
 G1V*magnetic/suction mount.

G2 Series

Includes two high speed 175 RPM rotators and full size diamond mirror.
 G2M*magnetic mount.
 G2P*permanent mount.
 G2V*magnetic/suction mount.

STROBE MODELS



G5 Series

Includes two 2022 strobe beacons and full size diamond mirror.
 G5M*magnetic mount, color outer dome.
 G5P*permanent mount, color outer dome.
 G5V*magnetic/suction mount, color outer dome.
 G5MC**...magnetic mount, clear outer dome, color inner domes.
 G5PC**...permanent mount, clear outer dome, color inner domes.
 G5VC**...magnetic/suction mount, clear outer dome, color inner domes.

G7 Series

Includes two remote strobe beacons, one built-in 40 watt power supply and half size diamond mirror.
 G7M*magnetic mount, color outer dome.
 G7P*permanent mount, color outer dome.
 G7V*magnetic/suction mount, color outer dome.
 G7MC**..magnetic mount, clear outer dome, color inner domes.
 G7PC**...permanent mount, clear outer dome, color inner domes.
 G7VC**...magnetic/suction mount, clear outer dome, color inner domes.



IMPORTANT ELECTRICAL WARNINGS!!

Guardian models equipped with cigar cords are intended for short duration, intermittent operation only! Prolonged operation requires the Guardian to be wired to the vehicle as shown in Fig. 3. **DO NOT** use a cigar lighter socket as a power source for this or any electrical accessory! Use a 12-volt accessory power port or auxiliary power outlet of sufficient capability. Do not exceed the manufacturers power rating for the selected port/outlet. **DO NOT** pull on the power plug wires when removing the plug from the outlet! To remove, firmly grasp the power plug housing and pull. If converting a cigar cord model to permanent wiring, the ribbed side of the cigar cord is positive (+). See Fig. 3 for wiring information. **ANY DEVIATIONS FROM THE ABOVE ELECTRICAL GUIDELINES WILL VOID THE PRODUCT WARRANTY.**



51 Winthrop Road
 Chester, Connecticut 06412-0684
 (860) 526-9504 • Fax: (860) 526-4078
 www.whelen.com



Whelen Engineering reserves the right to upgrade and improve products without notice.