



# Motorcycle Box

**KIT SOLO™ DUO™**

A one-box solution for outfitting Harley Davidson® motorcycles by providing maximum warning light to the rear and sides of a bike. Supporting SOLO™ or DUO™ M4 lightheads and optional Core® control systems, the updated motorcycle box offers even more customization options, flexibility, and features designed to meet the needs of modern agencies.

## FEATURES

- Touring box available with curbside, roadside, or rear opening
- Fits 6 M4 SOLO or DUO lightheads (purchased separately)
- M4 lightheads:
  - 150 Scan-Lock™ flash patterns
  - Dynamic Variable Intensity™ (DVI) light patterns
- Includes pre-installed Brake/Tail/Turn with Amber Turn lighthead
- Box sold "blank" for flexibility, allowing integration with Core control system of your choice (see options)
- Standard Black polycarbonate water-resistant and anti-rust box
- All options purchased separately

## SPECS

Voltage:	12 VDC
Amps:	M4 Lighthead: 1.50 (peak), 0.60 (avg.)
Dimensions:	M4 Lighthead: 5.49" (13.94cm) W x 3.38" (8.59cm) H x 1.40" (3.56mm) D
	Box: 22.50" (57.15cm) L x 21.75" (55.25cm) H x 12.12" (30.78cm) W
Certifications:	M4 Lighthead: SAE Class 1
Warranty:	Motorcycle Box: 2-year M4 Lighthead: 10-year



M4B6LR + M4DJ (6) + MBADPT14



Motorcycle shown with additional lighting not included in the Motorcycle Box.

**⚠** WARNING: This product may contain chemicals known to the State of California to cause cancer and birth defects or other reproductive harm. For more information, visit [wheelen.com/regulatory](http://wheelen.com/regulatory).

**WHELEN®**  
MANUFACTURED IN AMERICA

WHELEN ENGINEERING COMPANY, INC.



# Motorcycle Box

KIT ISOLO DUO™

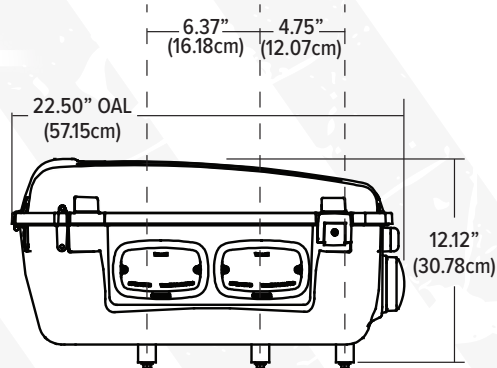
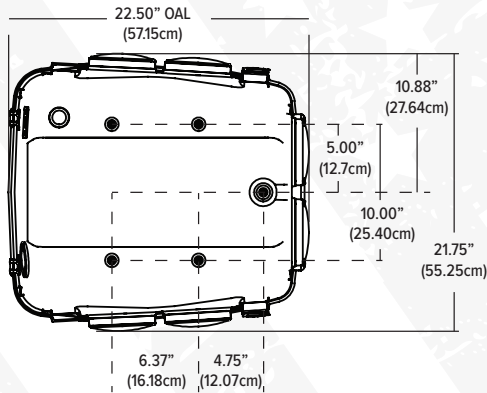


## MODELS

Model	Description
M4B6LR	Motorcycle Box, Right-Hand (Curbside) Opening
M4B6LL	Motorcycle Box, Left-Hand (Roadside) Opening
M4B6LB	Motorcycle Box, Rear Opening

## OPTIONS

Model	Description
M4*	Warning, Amber, Blue, White, Green, or Red Internal Flasher with Flash Patterns and Synchronize Feature
M4*C	Warning, Amber, Blue, White, Green, or Red with Clear Lens. Internal Flasher with Flash Patterns and Synchronize Feature
M4D#	DUO™ Red/White, Blue/White, Amber/White, Red/Blue, Red/Amber, Red/Green, or Blue/Amber Only, Scan-Lock™ Flash Patterns and Low Power
MBADPT14	Adapter Plate for the Rear Box, 2014-2022 Road King® or Electra Glide®
M4BSEP	Substitute Separation Plate with Battery Hole for Standard Solid Plate, Includes Battery Hold Downs, for M4B6 Series
M1BATT	Motorcycle Battery, Requires Appropriate Separation Plate, Purchased Separately
M4B6CHRG	Battery Charger Includes 120 VAC Receptacle, for M4B6R/M4B6LR System Only, Factory Installed ONLY
M4B6CHRB	Battery Charger Includes 120 VAC Receptacle, for M4B6R/M4B6LB System Only, Factory Installed ONLY
M4B6CHGL	Battery Charger Includes 120 VAC Receptacle, for M4B6R/M4B6LL System Only, Factory Installed ONLY
M1GROUND	Ground Plane
SA350MH	100-Watt Siren Speaker for Harley-Davidson® Wiring Harness
C399	200-Watt Amplifier Control Module, Flashing Outputs, Includes 3 CANport™ Signals, and Controls up to 99 Devices/Remote Modules, Control Heads Purchased Separately
C399R	Control Module, Includes 8 Digital Inputs, 3 CANports and Controls up to 99 Device/Remote Modules, Control Head and Other Optional Modules Purchased Separately, 10-30 VDC
CEM16	16-Output, 4-Input WeCanX® Expansion Module
CEM8	8-Output, 4-Input WeCanX Expansion Module
CV2V	Vehicle-To-Vehicle Sync Module, Includes Internal Antenna



Scan the QR code or click [HERE](#) to view the order form, which includes models and options.



M4\* Models: Replace \* in model number with letter indicating color desired:  
 A = Amber, B = Blue, C = White, G = Green, R = Red  
 M4\*C Models: Replace \* in model number with letter indicating color desired:  
 AC = Amber, BC = Blue, CC = White, GC = Green, RC = Red  
 M4D# Models: Replace # in model number with letter indicating split color desired:  
 D = Red/White, E = Blue/White, F = Amber/White, J = Red/Blue, K = Red/Amber,  
 L = Red/Green, or M = Blue/Amber

WHELEN ENGINEERING COMPANY, INC.

**WARNING:** This product may contain chemicals known to the State of California to cause cancer and birth defects or other reproductive harm. For more information, visit [whelen.com/regulatory](http://whelen.com/regulatory).

All products proudly designed, manufactured, and assembled in the U.S.A.  
 • ISO 9001 Registered QMS

Whelen Engineering reserves the right to upgrade and improve products without notice.  
 © 2024 Whelen Engineering Company, Inc. Printed in U.S.A.  
 Code No. P13529A - 12/2024

**WHELEN**  
 MANUFACTURED IN AMERICA

51 Winthrop Road  
 Chester, Connecticut 06412-0684  
 (860) 526-9504  
[www.whelen.com](http://www.whelen.com)