

## Warnings to Installers

Whelen's emergency vehicle warning devices must be properly mounted and wired in order to be effective and safe. Read and follow all of Whelen's written instructions when installing or using this device. Emergency vehicles are often operated under high speed stressful conditions which must be accounted for when installing all emergency warning devices. Controls should be placed within convenient reach of the operator so that they can operate the system without taking their eyes off the roadway. Emergency warning devices can require high electrical voltages and/or currents. Properly protect and use caution around live electrical connections. Grounding or shorting of electrical connections can cause high current arcing, which can cause personal injury and/or vehicle damage, including fire. Many electronic devices used in emergency vehicles can create or be affected by electromagnetic interference. Therefore, after installation of any electronic device it is necessary to test all electronic equipment simultaneously to insure that they operate free of interference from other components within the vehicle. Never power emergency warning equipment from the same circuit or share the same grounding circuit with radio communication equipment. All devices should be mounted in accordance with the manufacturer's instructions and securely fastened to vehicle elements of sufficient strength to withstand the forces applied to the device. Driver and/or passenger air bags (SRS) will affect the way equipment should be mounted. This device should be mounted by permanent installation and within the zones specified by the vehicle manufacturer, if any. Any device mounted in the deployment area of an air bag will damage or reduce the effectiveness of the air bag and may damage or dislodge the device. Installer must be sure that this device, its mounting hardware and electrical supply wiring does not interfere with the air bag or the SRS wiring or sensors. Mounting the unit inside the vehicle by a method other than permanent installation is not recommended as unit may become dislodged during swerving; sudden braking or collision. Failure to follow instructions can result in personal injury. Whelen assumes no liability for any loss resulting from the use of this warning device. **PROPER INSTALLATION COMBINED WITH OPERATOR TRAINING IN THE PROPER USE OF EMERGENCY WARNING DEVICES IS ESSENTIAL TO INSURE THE SAFETY OF EMERGENCY PERSONNEL AND THE PUBLIC.**

## Warnings to Users

Whelen's emergency vehicle warning devices are intended to alert other operators and pedestrians to the presence and operation of emergency vehicles and personnel. However, the use of this or any other Whelen emergency warning device does not guarantee that you will have the right-of-way or that other drivers and pedestrians will properly heed an emergency warning signal. Never assume you have the right-of-way. It is your responsibility to proceed safely before entering an intersection, driving against traffic, responding at a high rate of speed, or walking on or around traffic lanes. Emergency vehicle warning devices should be tested on a daily basis to ensure that they operate properly. When in actual use, the operator must ensure that both visual and audible warnings are not blocked by vehicle components (i.e.: open trunks or compartment doors), people, vehicles, or other obstructions. It is the user's responsibility to understand and obey all laws regarding emergency warning devices. The user should be familiar with all applicable laws and regulations prior to the use of any emergency vehicle warning device. Whelen's audible warning devices are designed to project sound in a forward direction away from the vehicle occupants. However, because sustained periodic exposure to loud sounds can cause hearing loss, all audible warning devices should be installed and operated in accordance with the standards established by the National Fire Protection Association.

## Safety First

This document provides all the necessary information to allow your Whelen product to be properly and safely installed. Before beginning the installation and/or operation of your new product, the installation technician and operator must read this manual completely. Important information is contained herein that could prevent serious injury or damage.

**⚠ WARNING:** This product can expose you to chemicals including Methylene Chloride which is known to the State of California to cause cancer, and Bisphenol A, which is known to the State of California to cause birth defects or other reproductive harm. For more information go to [www.P65Warnings.ca.gov](http://www.P65Warnings.ca.gov).

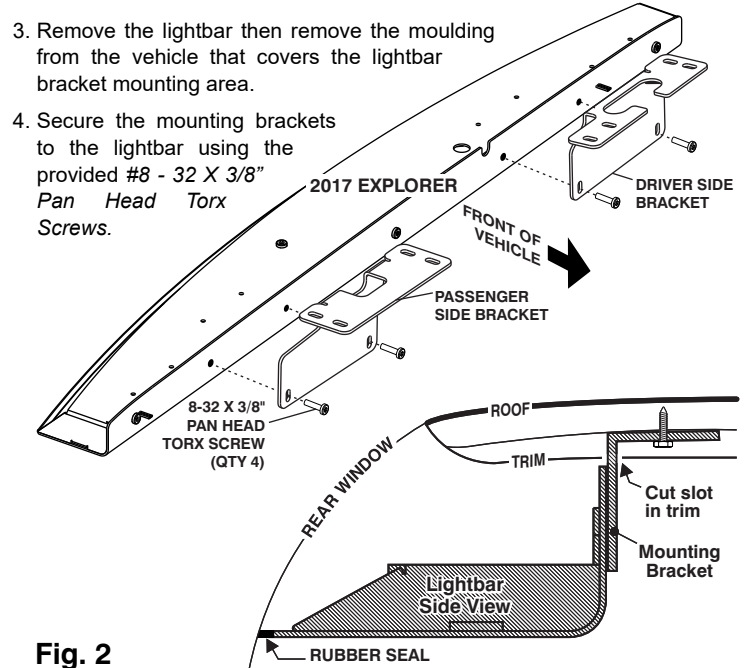
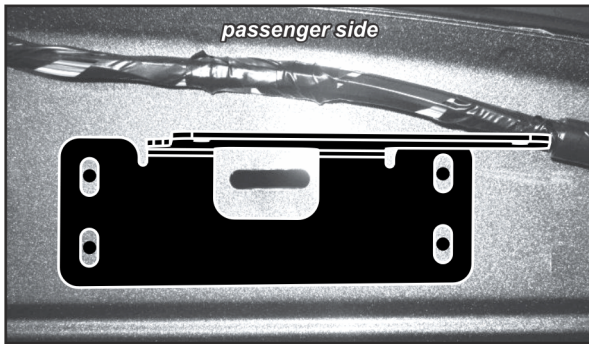
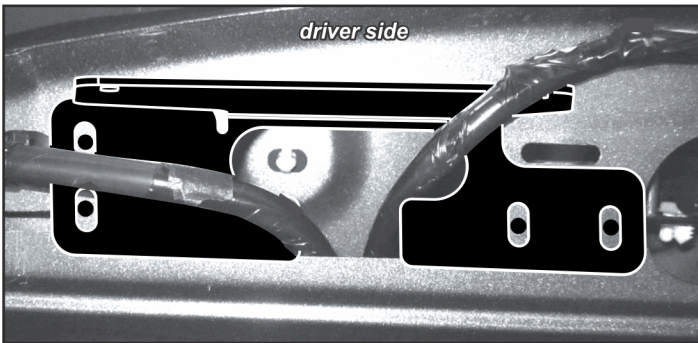
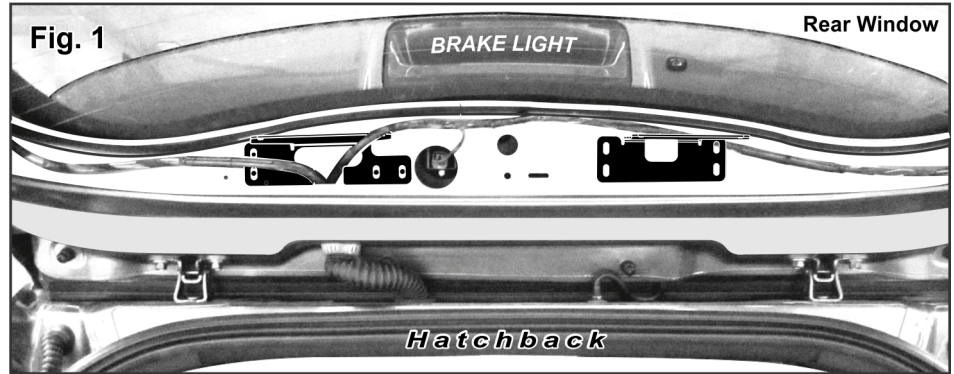
- **Proper installation of this product requires the installer to have a good understanding of automotive electronics, systems and procedures.**
- **Whelen Engineering requires the use of waterproof butt splices and/or connectors if that connector could be exposed to moisture.**
- **Any holes, either created or utilized by this product, should be made both air- and watertight using a sealant recommended by your vehicle manufacturer.**
- **Failure to use specified installation parts and/or hardware will void the product warranty.**
- **If mounting this product requires drilling holes, the installer MUST be sure that no vehicle components or other vital parts could be damaged by the drilling process. Check both sides of the mounting surface before drilling begins. Also de-burr the holes and remove any metal shards or remnants. Install grommets into all wire passage holes.**
- **If this manual states that this product may be mounted with suction cups, magnets, tape or Velcro®, clean the mounting surface with a 50/50 mix of isopropyl alcohol and water and dry thoroughly.**
- **Do not install this product or route any wires in the deployment area of your air bag. Equipment mounted or located in the air bag deployment area will damage or reduce the effectiveness of the air bag, or become a projectile that could cause serious personal injury or death. Refer to your vehicle owner's manual for the air bag deployment area. The User/Installer assumes full responsibility to determine proper mounting location, based on providing ultimate safety to all passengers inside the vehicle.**
- **For this product to operate at optimum efficiency, a good electrical connection to chassis ground must be made. The recommended procedure requires the product ground wire to be connected directly to the NEGATIVE (-) battery post (this does not include products that use cigar power cords).**
- **If this product uses a remote device for activation or control, make sure that this device is located in an area that allows both the vehicle and the device to be operated safely in any driving condition.**
- **Do not attempt to activate or control this device in a hazardous driving situation.**
- **This product contains either strobe light(s), halogen light(s), high-intensity LEDs or a combination of these lights. Do not stare directly into these lights. Momentary blindness and/or eye damage could result.**
- **Use only soap and water to clean the outer lens. Use of other chemicals could result in premature lens cracking (crazing) and discoloration. Lenses in this condition have significantly reduced effectiveness and should be replaced immediately. Inspect and operate this product regularly to confirm its proper operation and mounting condition. Do not use a pressure washer to clean this product.**
- **It is recommended that these instructions be stored in a safe place and referred to when performing maintenance and/or reinstallation of this product.**
- **FAILURE TO FOLLOW THESE SAFETY PRECAUTIONS AND INSTRUCTIONS COULD RESULT IN DAMAGE TO THE PRODUCT OR VEHICLE AND/OR SERIOUS INJURY TO YOU AND YOUR PASSENGERS!**

**IMPORTANT NOTE:** A WeCanX lightbar is only compatible with the Whelen Core Command System and can not be used alone or with any other control system.

**IMPORTANT!** The lightbar should be located a minimum of 16" from any radio antennas!

### 2017 Ford Explorer SUV Interceptor:

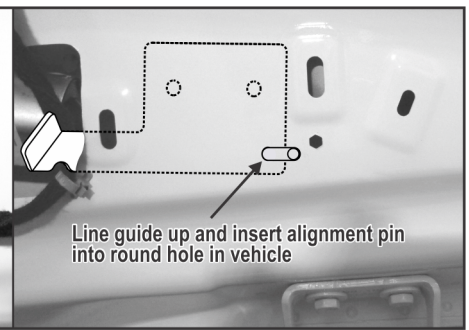
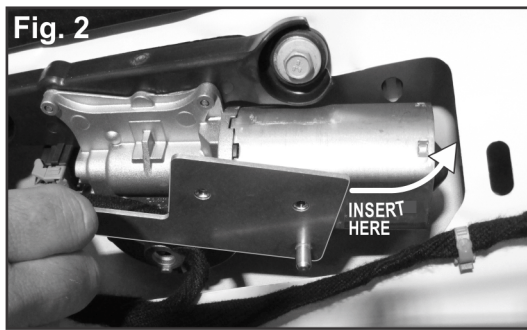
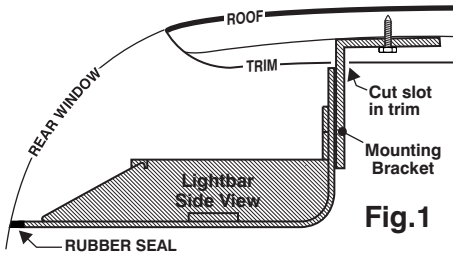
1. Install the rubber seal supplied with the mounting kit onto the front edge of the lightbar, where it comes in contact with the vehicle window. (Some lightbars are shipped with the seal already mounted.)
2. Hold the lightbar up against the vehicle window in the exact position it will be mounted. (The seal that comes in contact with the window must fully engage the window.) With the lightbar in position and centered, use masking tape to mark the exact position of the two outside ends of the lightbar onto the vehicle window (See Fig. 1 of 2017 Tahoe).



**Fig. 2**

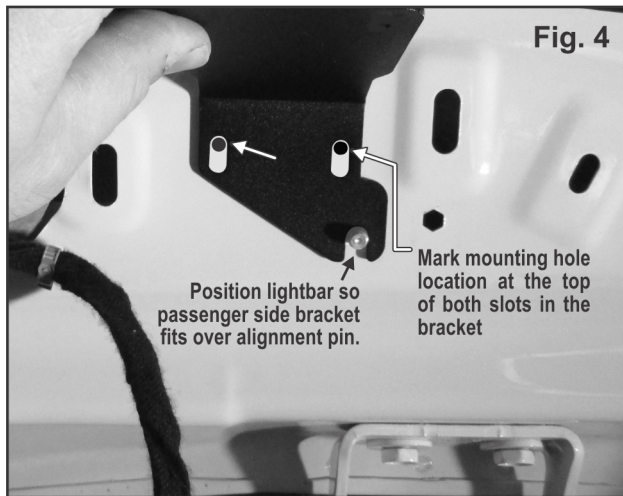
3. Remove the lightbar then remove the moulding from the vehicle that covers the lightbar bracket mounting area.
4. Secure the mounting brackets to the lightbar using the provided #8 - 32 X 3/8" Pan Head Torx Screws.
5. Position the lightbar in its exact mounting position lining it up with the tape you installed and mark the mounting holes onto the vehicle.
6. Remove the lightbar and remove the mounting brackets from the lightbar.
7. With the lightbar brackets positioned to line up with the mounting hole locations marked off in step 5, mount the lightbar brackets to the vehicle using the self tapping screws included in the mounting kit (Figs. 2 & 3).
8. Hold the vehicle moulding (removed in step3) up to the vehicle and mark the places it will have to be cut to accommodate the lightbar mounting brackets. Trim the moulding just enough to clear the brackets and reinstall the moulding to the vehicle.
9. Mount the lightbar to the mounting brackets and extend the control cable to power following the vehicles factory wiring harness. (See Wiring)



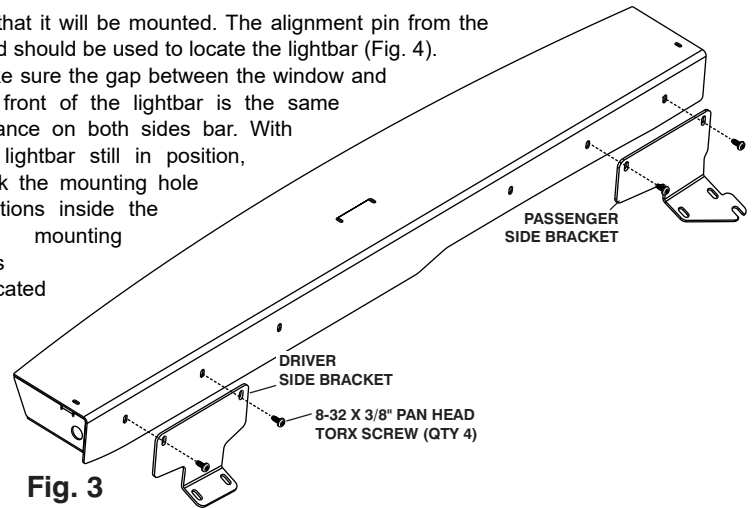


## 2017 Chevy Tahoe

1. Install the rubber seal onto the front edge of the lightbar where it contacts the window (Fig. 1).
2. Remove the molding from the vehicle that covers the lightbar bracket mounting area. Insert the passenger side doubler plate alignment pin through the passenger side of the vehicle frame (Fig. 2).
3. Secure the mounting brackets to the lightbar using the provided #8-32 x 3/8" Pan Head Torx screws (Fig. 3).
4. Hold the lightbar up against the vehicle window in the exact position that it will be mounted. The alignment pin from the doubler bracket should fit into the open slot in the mounting bracket, and should be used to locate the lightbar (Fig. 4).



Make sure the gap between the window and the front of the lightbar is the same distance on both sides bar. With the lightbar still in position, mark the mounting hole locations inside the two mounting slots indicated



in figure 4 at the top of the slot in the bracket as shown. This will allow for adjustment in later steps (Fig. 4).

5. Remove the lightbar and the doubler plate. Drill clearance holes for a #10 screw in the two locations marked in Step 4.
6. With the lightbar in position, re-insert the passenger side doubler plate into the vehicle frame. Using the provided #10 screws, attach the brackets to the vehicle frame, and thread into the doubler bracket. Tighten screws until snug. Repeat this process for the drivers side.
7. Adjust the lightbar so that rubber seal is fully engaging the rear window, then tighten mounting screws.
8. Hold the vehicle molding (removed in Step 2) up to the vehicle and mark the places it will have to be cut to accommodate the lightbar mounting brackets. Trim the molding just enough to clear the brackets, and reinstall the molding onto the vehicle.
9. Extend the control cable to power following the vehicles factory wiring harness (See Wiring)



## Installation 2017 Ford Fusion:

1. Locate the rubber seal supplied with the mounting kit and install it onto the front edge of the lightbar where it contacts the window and secure the mounting brackets to the lightbar with the supplied hardware (Fig. 1).

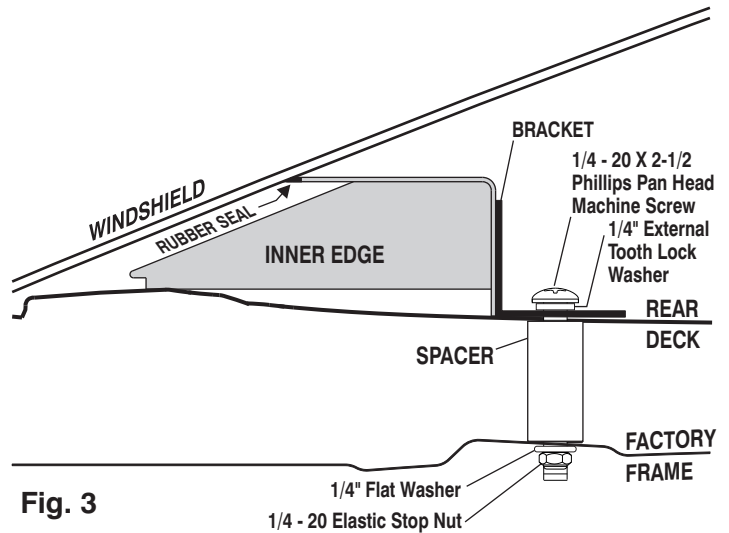
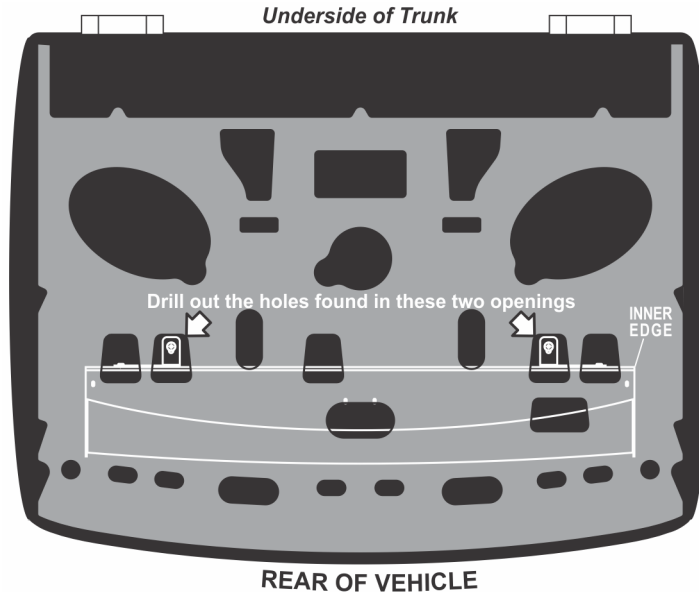
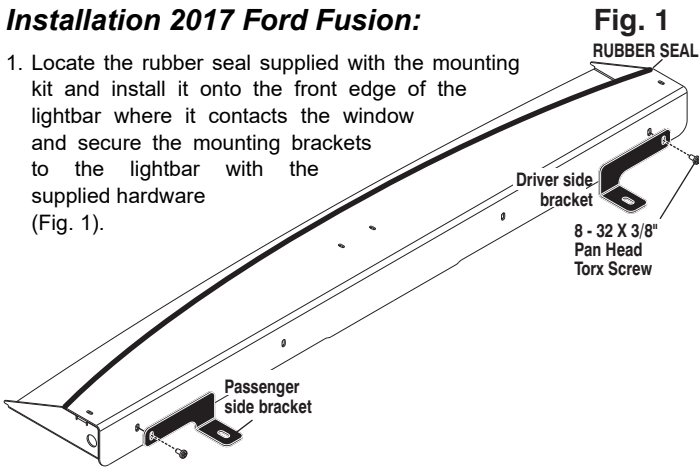
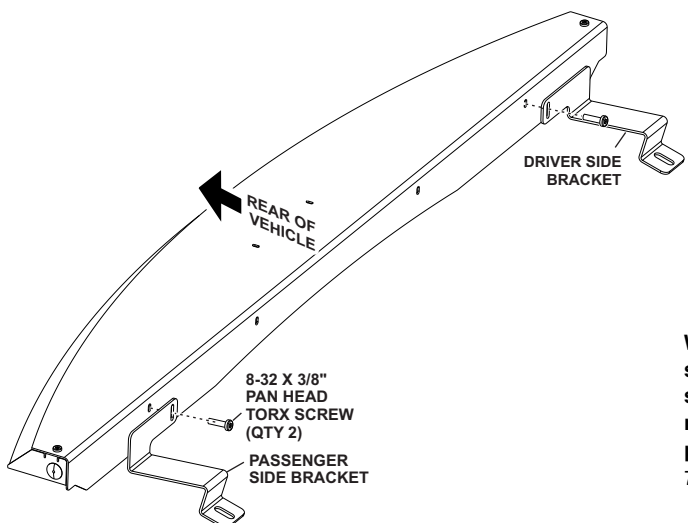


Fig. 3

2. Center the lightbar on the rear deck with the front edge sitting against the window.
3. Open the trunk and locate the holes indicated in Fig. 2. Drill these holes out to clear them for the 1/4 - 20 X 2-1/2" Phillips Pan Head Machine Screws using a 1/4" drill bit.
4. Line the mounting brackets up with the holes that were created in step 3. Insert the two mounting screws and washers through the holes and brackets so the head of the screw is inside the vehicle (Fig. 3).
5. Slide the screw through the 1-3/4" Spacer so that the spacer is between the rear deck and factory frame as shown in figure 3.
6. Tighten the mounting hardware until snug. Make sure the rubber seal sits firmly against the rear window then tighten all mounting hardware to secure the lightbar.
7. Extend the wires to the control box and power (See wiring) and installation is complete.

## Installation 2017 Dodge Charger:

1. Locate the rubber seal supplied with the mounting kit and install it onto the front edge of the lightbar where it contacts the window.
2. On the rear deck, remove the driver-side outboard cap covering the child restraint strap holder to access the tether strap holder.
3. Remove the plastic panel located inside the trunk to access the bottom side of the child restraint brackets. This panel is held on with christmas tree plugs and magnets.
4. Locate the driver-side lightbar mounting bracket included with the mounting kit. Secure the mounting bracket onto the strap holder using the hardware shown (Fig. 1). Tighten the hardware firmly.



5. Repeat steps 1 thru 3 for Passenger-side bracket then replace the plastic panel removed in step 2.
6. Position the lightbar onto the rear deck. Secure the lightbar to the mounting brackets. Do not tighten this hardware yet. Make sure the rubber window seal on the lightbar housing fully engages the rear window. To ensure this, hold the lightbar housing firmly against the glass while tightening the hardware securing lightbar to mounting bracket.

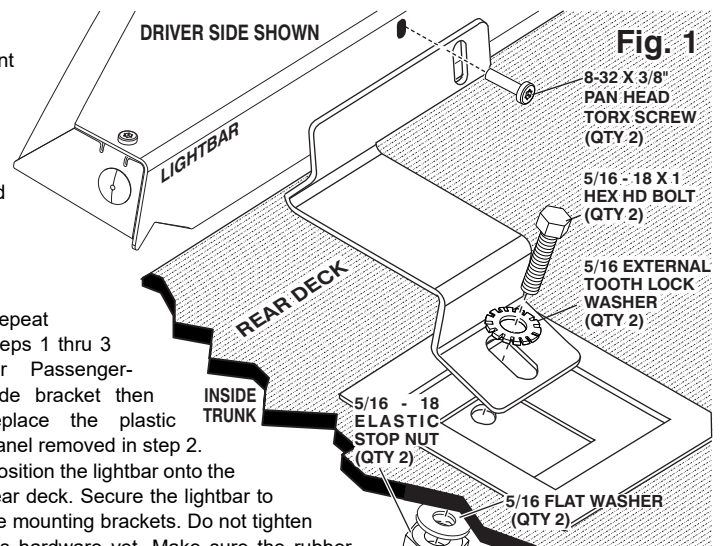


Fig. 1

**While still maintaining pressure on lightbar, tighten hardware used to secure lightbar mounting bracket to the child restraint holder. The lightbar should maintain the seal against the windshield when the pressure is released. If not, loosen the appropriate hardware and repeat this tightening procedure until properly mounted.**

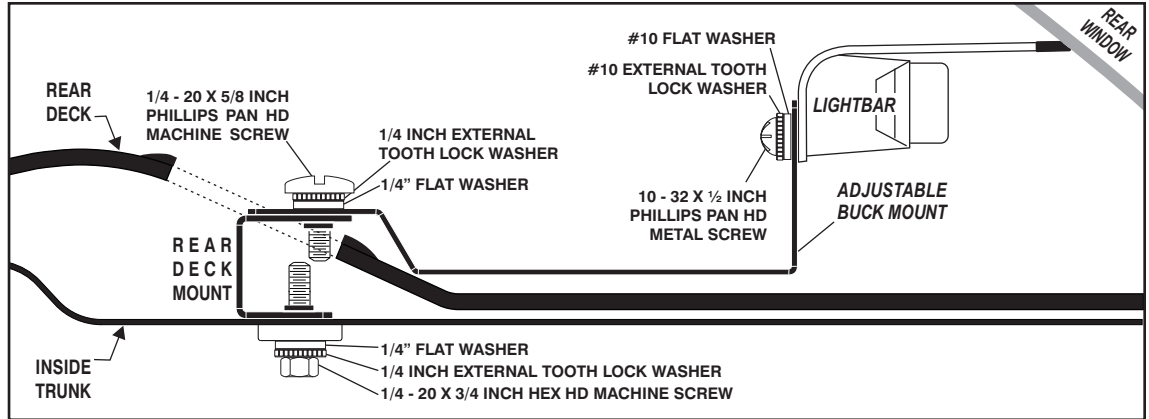
7. Extend the wires to the control box and to power. It is recommended you follow the vehicles wire harness when extending the wires (See Wiring).



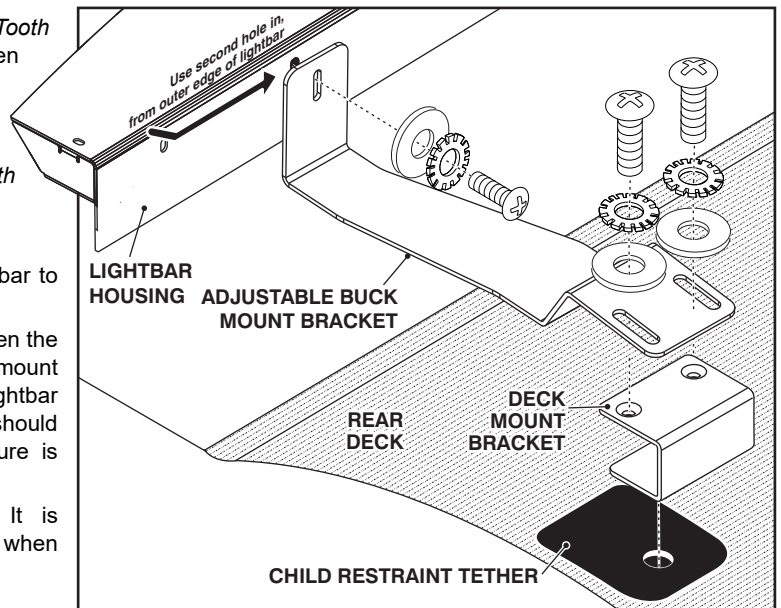
## Installation 2017 Ford Taurus:

1. Locate the rubber seal supplied with the mounting kit and install it onto the front edge of the lightbar which comes in contact with the vehicle window. On the rear deck (passenger side) locate the cap covering the child restraint strap holder. Snap the cover open to access the bolt, then remove the bolt and lift off the cap.

2. Locate the passenger side adjustable buck mount bracket and a deck mount bracket included with the mounting kit. **NOTE: Driver and passenger side is indicated with "D" or "P" at the end of the serial number stamped into bracket.** Secure the deck mount bracket onto the strap holder using the 1/4 - 20 X 3/4 inch Hex Head Machine Screw, 1/4 inch External Tooth Lock Washer and 1/4 inch Flat Washer provided. and tighten hardware firmly.



3. Next, loosely secure the adjustable buck mount bracket to the deck mount bracket using the supplied 1/4 - 20 X 5/8 inch Phillips Pan Head Machine Screws, 1/4 inch External Tooth Lock Washers and 1/4 inch Flat Washer.
4. Repeat steps 1 - 3 for the Driver-side mounting bracket.
5. Position the lightbar onto the rear deck and secure the lightbar to the two buck mount brackets using the hardware shown.
6. Hold the lightbar housing firmly against the glass as you tighten the hardware securing the buck mount brackets to the deck mount brackets. Make sure that the rubber window seal on the lightbar housing fully engages the rear window. The lightbar should maintain the seal against the windshield when the pressure is released.
7. Extend the wires to the control box and to power. It is recommended you follow the vehicles wire harness when extending the wires (**See Wiring**).



## Installation 2017-18 Chevy Impala:

NOTE: The 2017 Inner Edge is shown here for example. The 2018 Inner Edge will mount the same.

1. Locate the rubber seal supplied with the mounting kit and install it onto the front edge of the lightbar where it contacts the window.
2. Secure the upper mounting bracket to the lightbar with the supplied hardware (Fig. 1).
3. Center the lightbar on the rear deck with the front edge of the lightbar sitting securely against the window and make 2 holes in the rear deck for the two 5/16 - 18 X 4" Phillips Round Head Machine Screws.
4. Open the trunk and locate the speaker hole (centered toward the inside of the trunk). The retainer bracket will mount here.
5. Insert the two mounting screws into the two holes you made in step 3. Line the lower mounting bracket up with the screws. The lower bracket will mount up against the speaker hole as shown.
6. Make sure the rubber seal sits properly against the rear window then tighten all mounting hardware firmly.
7. Extend the wires to the control box and to power. (**See Wiring**).

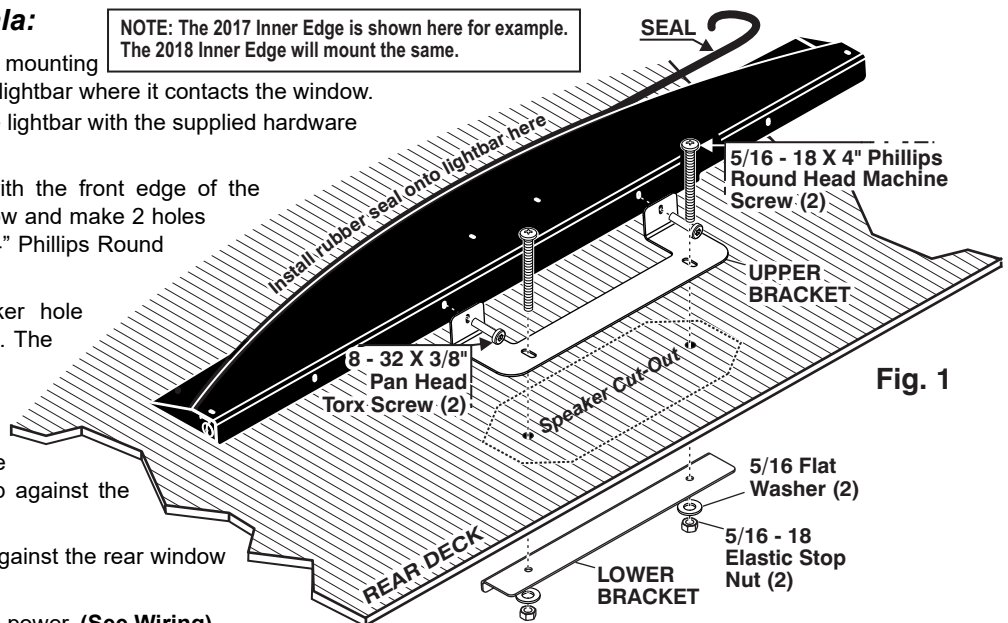
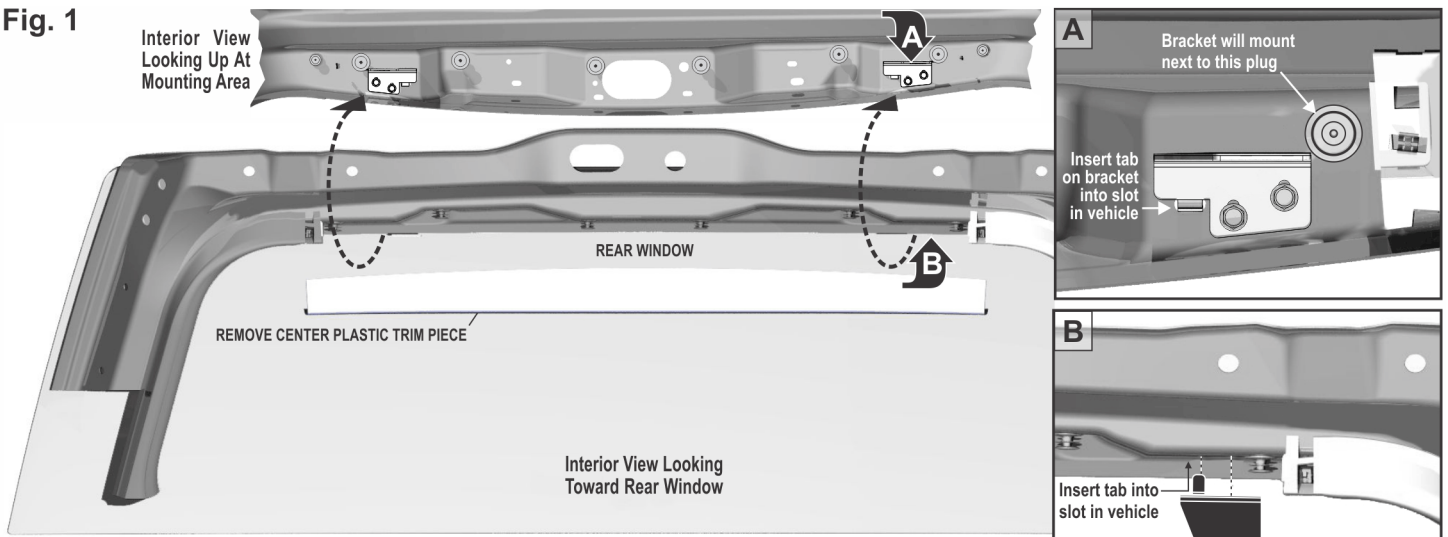


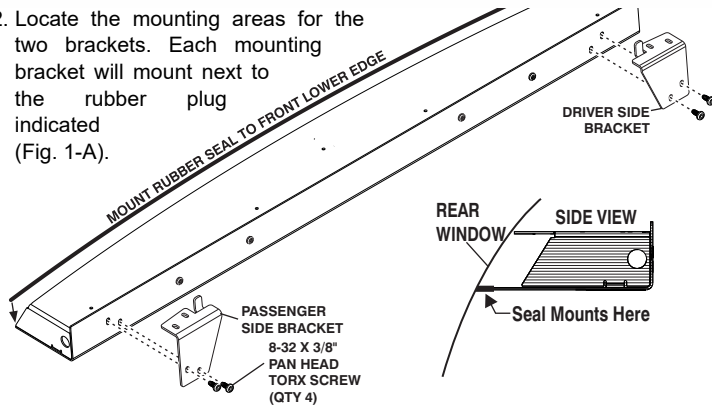
Fig. 1

**Fig. 1**



**Installation 2018 - 2021 Expedition SSV:**

1. Remove the center plastic trim piece (Fig. 1).
2. Locate the mounting areas for the two brackets. Each mounting bracket will mount next to the rubber plug indicated (Fig. 1-A).

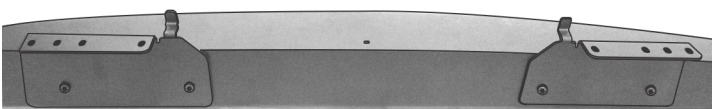


3. The tab on the mounting bracket slides into an existing slot in the frame (Fig. 1 A-B).  
**NOTE: The tab on the mounting bracket will go into the slot for the wire harness management. The wire harness clip will need to be removed.**
4. Mount the two brackets to the vehicle using the supplied self tapping screws.
5. Mount the rubber seal to the lower front of the lightbar and secure the lightbar to the brackets you installed in step 3. The lightbar may need some adjustment so the rubber seal fully engages the window.
6. When the lightbar is in position, tighten all mounting hardware. Extend the wires to the control box and to power. It is recommended you follow the vehicles wire harness when extending the wires (**See Wiring**).

**Installation 2017 Dodge Durango:**

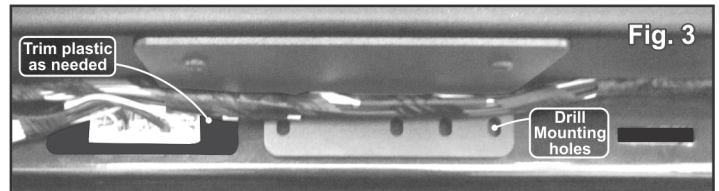
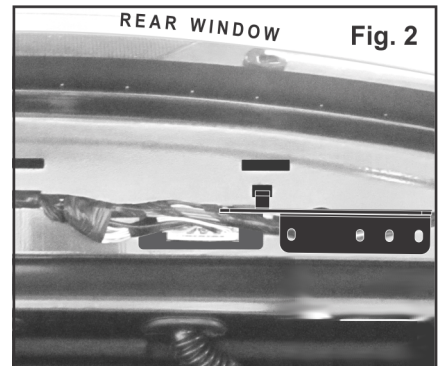


1. Remove the center plastic trim piece (Fig. 1).



2. Mount the brackets to the lightbar as shown above using the four supplied 8 - 32 X 3/8" Pan Head Torx screws.
3. The tabs on the mounting brackets go into two of the slots the wire harness clips snap into. Remove the harness clips from the slots indicated and move the harness aside to access the slots (Fig. 2).
4. Put the lightbar onto the vehicle inserting the two tabs on the mounting brackets into the two slots in the vehicle (Fig. 3).
5. Mark the four mounting hole locations for each bracket onto the mounting surface, then remove the lightbar and drill the mounting holes using a drill sized for the supplied mounting hardware (Fig. 3).

6. Return the lightbar to it's mounting position and secure loosely with supplied 10 X 5/8" Hex Head Screws.
7. Mount the rubber seal to the lower front of the lightbar making sure the rubber seal sits properly against the rear window then tighten all mounting hardware firmly.

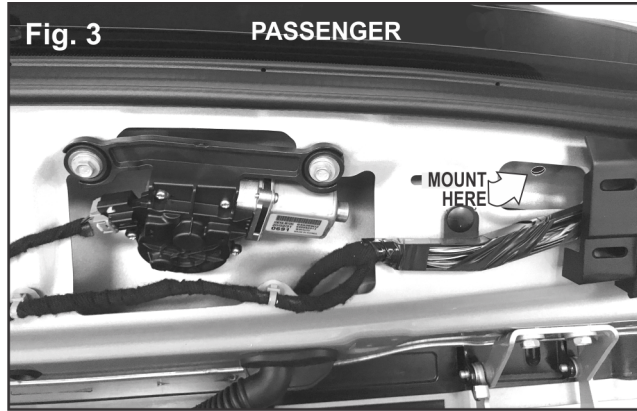
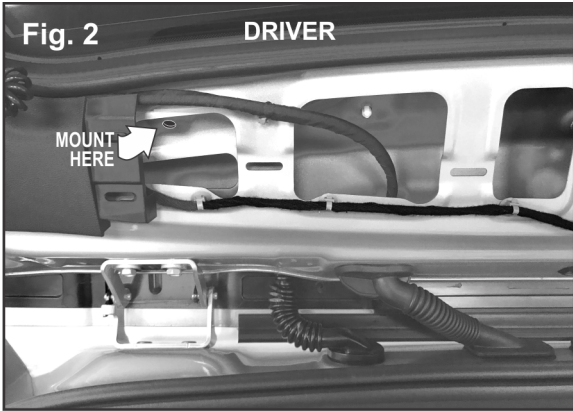


8. Extend the wires to the control box and to power.

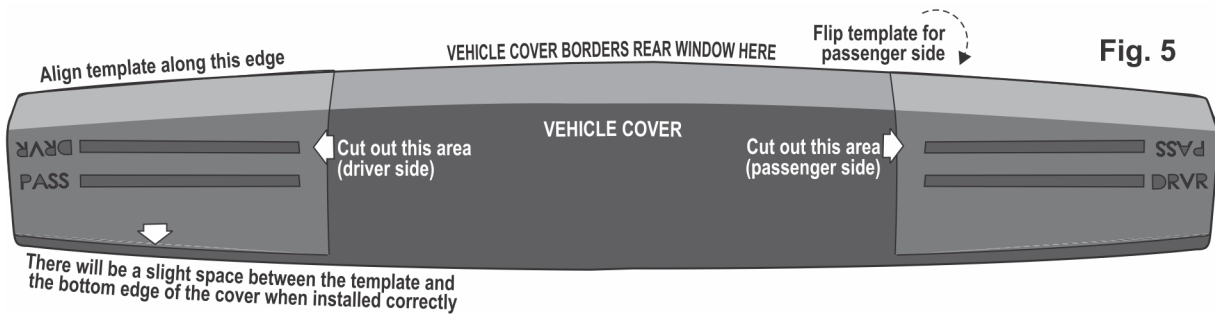
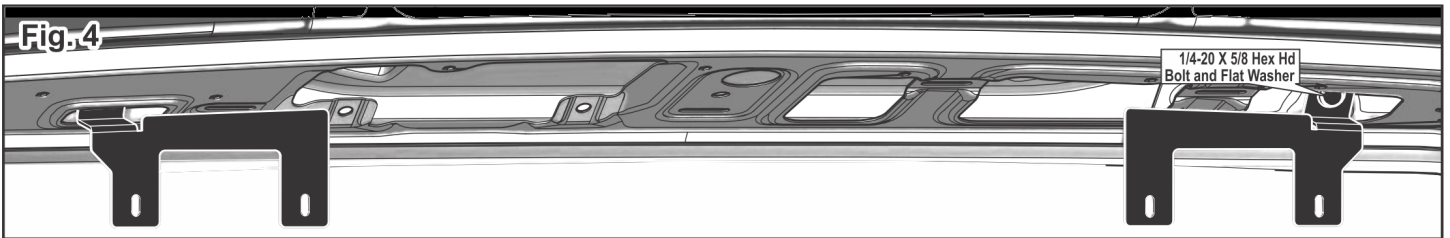


**2021 Tahoe:**

1. Remove the cover indicated in figure 1 to access the mounting area. **IMPORTANT: It is recommended that you label the driver and passenger side of the cover before removing it.**
2. Install the supplied riv nuts into the holes in the vehicle indicated in Fig's 2 and 3 (Driver/Passenger).
3. Secure the lightbar mounting brackets to the rivnuts you installed with the supplied 1/4-20 X 5/8 Hex Hd Bolt and Flat Washer (Fig. 4). The driver and passenger side brackets are indicated with a D or P in the bracket serial number.



4. Before remounting the cover you will need to cut the area out that the lightbar brackets will extend through. Place the supplied template on the driver side end of the cover as shown making sure it is



perfectly aligned with the top edge of the vehicle cover and adhered firmly (Fig. 5). There will be a slight space between the template and the bottom of the



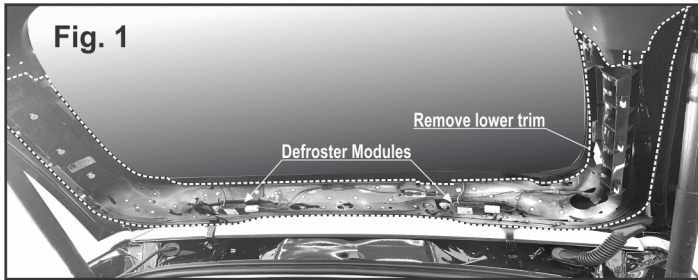
- cover if the template is properly installed. Mark the area that needs to be cut out of the vehicle cover on the driver side.
5. Remove the template, flip it over as shown and repeat step 4 for the passenger side.
6. Remove the template and carefully cut out the areas you marked off in the previous steps.
7. Replace the vehicle cover and mount the lightbar to the brackets with the supplied mounting hardware (Fig. 6).
8. Extend the control cable to power following the vehicles factory wiring harness (See Wiring).



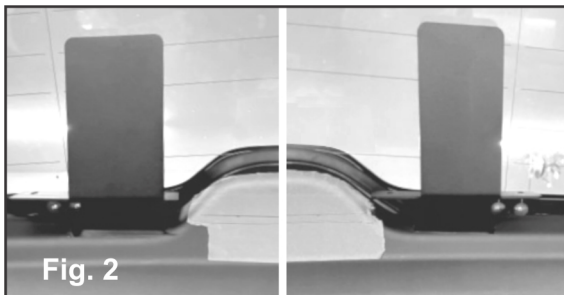
**Installation: 2022 Tesla Model Y**

This is an upper rear RST that mounts to the rear hatch of the 2022 Tesla Model Y.

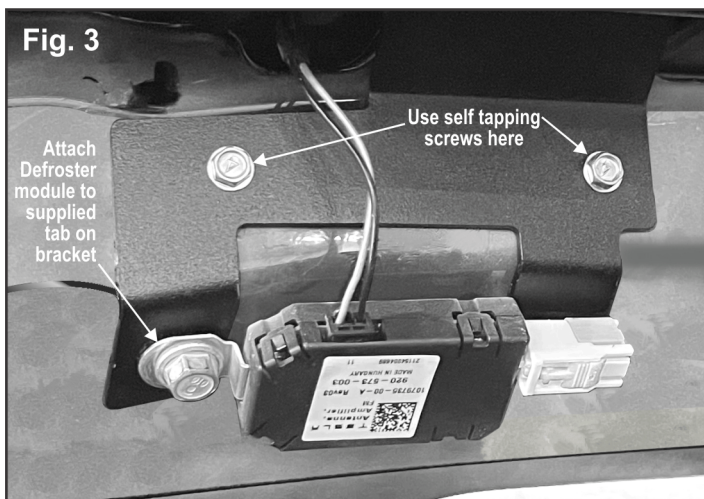
1. Remove factory trim piece from the rear hatch (Fig. 1)



2. Locate the two bolts (one per side) that affix the rear window defroster modules to the hatch (Figs. 1 & 2) These bolts will be used as part of the mounting for the main Inner Edge mounting brackets



3. Temporarily mount the main brackets using the bolts removed for the rear window defroster modules (Fig. 3) and use the supplied self-tapping screws to finish the mounting of the brackets (this is ensure proper hole location with out the additional weight of the inner edge). The brackets will match the contour of the rear hatch. **NOTE: Figure 3 shows the driver side for example. The passenger side bracket is contoured to that side but will mount the same.**



4. Trimming of the rear plastic trim piece that was removed in step 1 will be needed to clear the mounting brackets. To be able to get a location, hold the trim piece up to the mounted brackets. You will need an approximate depth of 7/8" (Fig. 4).
5. Additional trimming of the rear trim may be needed to aid in installation of the trim.
6. Remove the mounting bracket and affix the Inner Edge housing to the brackets. Mount the rubber gasket to the front

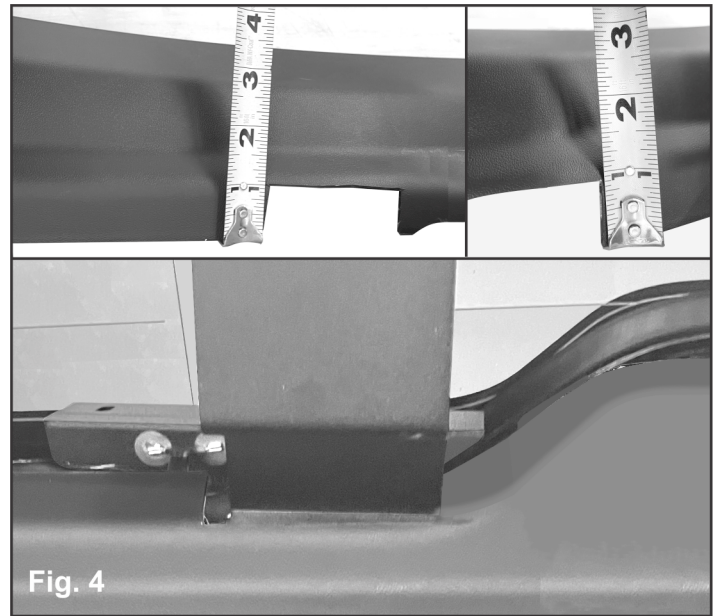
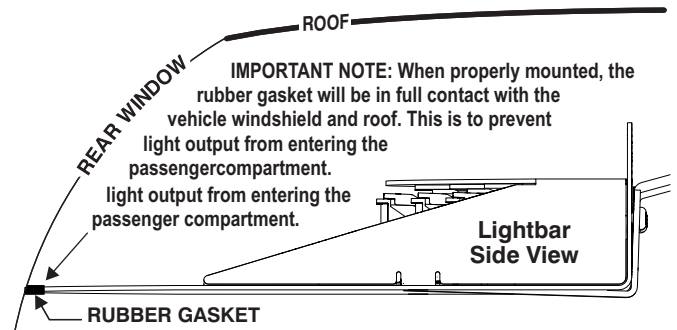
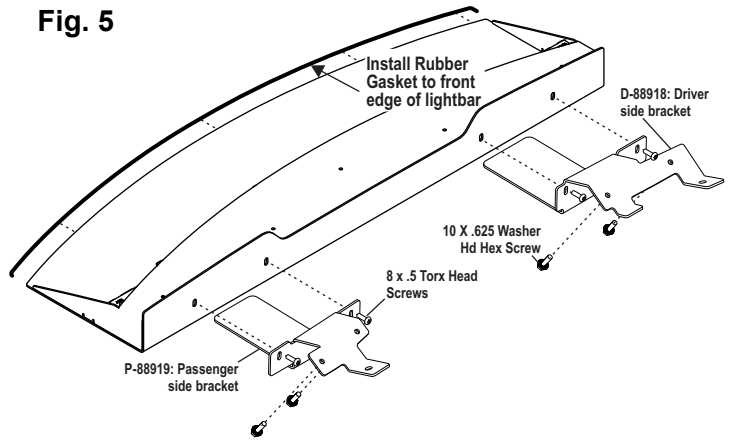


Fig. 4



of the lightbar and reinstall the assembled unit back onto the vehicle (Fig. 5).

7. Route your wires through the factory wire passage.
8. Tighten all mounting hardware and reinstall the rear trim.
9. Follow the wiring diagram on page 9 to make your wire connections.

## Wiring and Operation WeCanX Lightbar:

### Connecting the Power Cable:

**WARNING!** All customer supplied wires that connect to the positive terminal of the battery must be sized to supply at least 125% of the maximum operating current and **FUSED** at the battery to carry that load. **DO NOT USE CIRCUIT BREAKERS WITH THIS PRODUCT!**

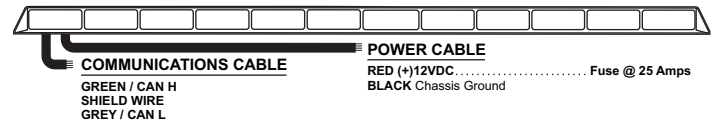
1. Follow the factory wiring harness through the fire wall. It may be necessary to drill a hole in the fire wall. Make sure that there are no components that could be damaged by drilling. After the hole has been drilled, insert a grommet to protect the cable.
2. Route the cable along the factory wiring harness towards the battery. Install a 25 amp fuse block (customer supplied) on the end of the RED wire in the power

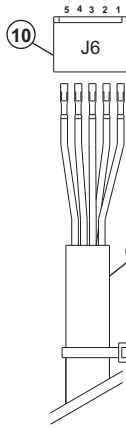
cable. **NOTE: Remove the fuse from the fuse block before connecting any wires to the battery.**

3. Connect the BLACK wire to Chassis Ground.

### Connecting the Communication Cable:

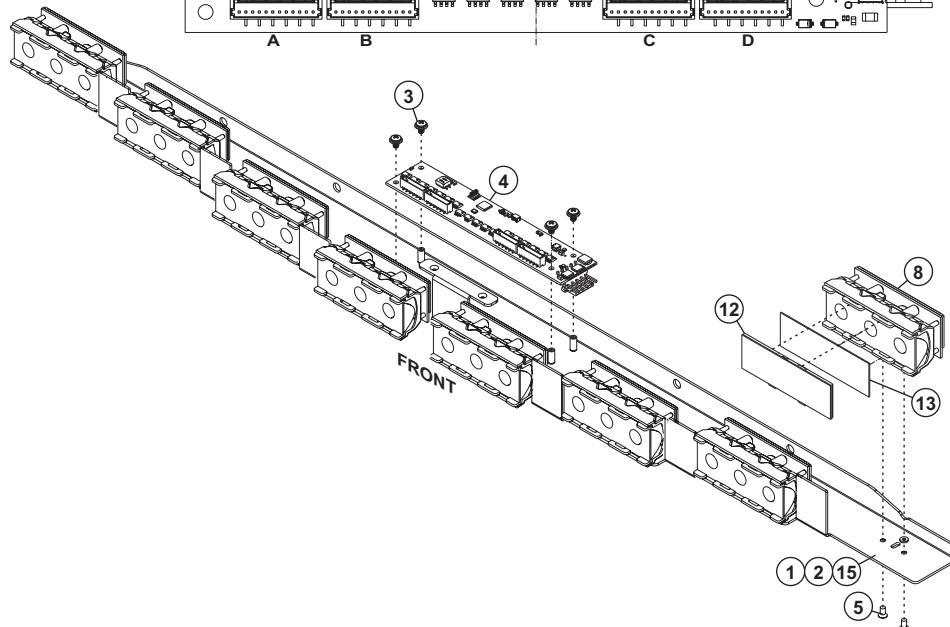
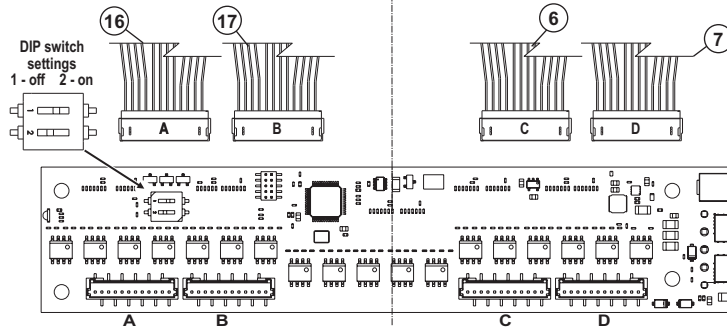
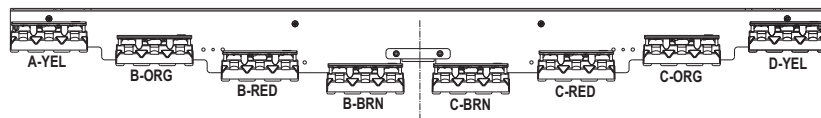
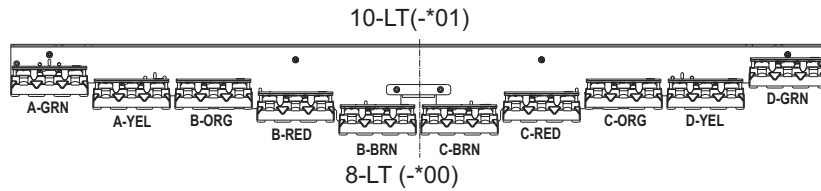
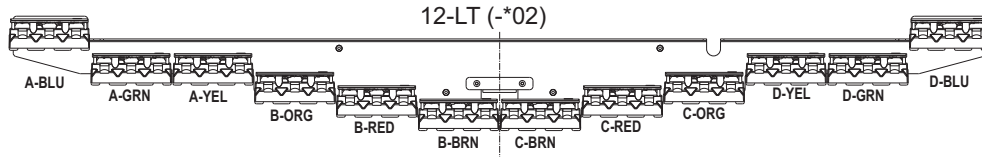
Splice the GREEN and GREY wires from the lightbar to the GREEN and GREY wires from the Whelen WeCanX Controller.



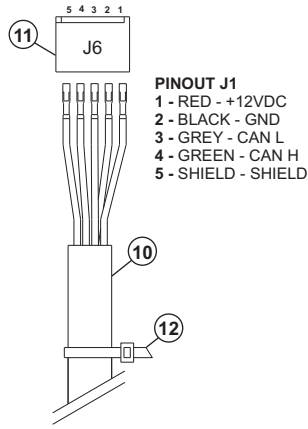


**PINOUT J1**  
 1 - RED - +12VDC  
 2 - BLACK - GND  
 3 - GREY - CAN L  
 4 - GREEN - CAN H  
 5 - SHIELD - SHIELD

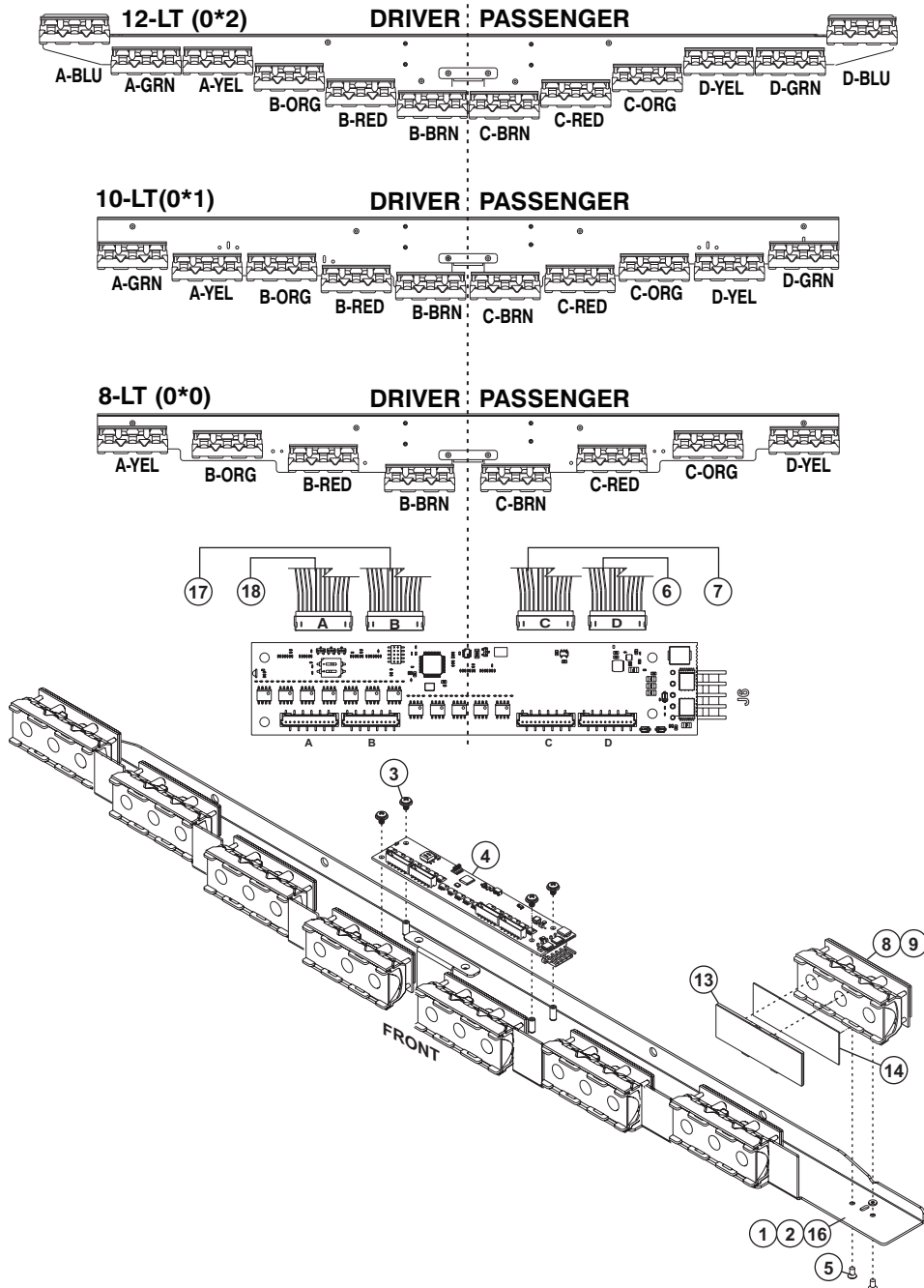
QTY	QTY	QTY	ITEM	PART NUMBER	DESCRIPTION
	*			01-0688593-_0	INNER EDGE RST TRIO WCX 8 LT
	*			01-0688593-_1	INNER EDGE RST TRIO WCX 10 LT
	*			01-0688593-_2	INNER EDGE RST TRIO WCX 12 LT
	-	1	1	07-788295-023	PLATE, FRAME 10-LT BLACK INNER EDGE RST
1	-	-	2	07-788301-023	PLATE, FRAME 12-LT BLACK INNER-EDGE RST
4	4	4	3	14-040216-041	SCREW, 4-40 X 1/4 PPHMS SEMS W/IT LOCK WASHER, SS
1	1	1	4	02-016J197-00	PCB CONTROL BD 36 OUTPUT INNER EDGE WeCanX SMT
24	20	16	5	14-040115-04D	SCREW, 4-40 X 1/4 PPHMS TAPTITE, BLACK OXIDE
1	1	1	6	46-0788264-00	HARNESS "C" INNER EDGE FST/RST
1	1	1	7	46-0788625-01	HARNESS "D" WeCanX INNER EDGE FST/RST
OPT	OPT	OPT	8	01-026H214	SUB ASSY, LTHEAD TRIO INNER EDGE FST
1	1	1	9	46-0746909-00	CABLE INPUT 4/C 20' SL-156
1	1	1	10	39-1M18534-05	HOUSING, PLUG 5 POS SL-156 W/LOCKING RAMP, LID
1	1	1	11	26-0215001-06	TY WRAP, 6" BLACK
12	10	8	12	68-196H348-31	LENS, CLEAR OPTIC PLATE INNER EDGE RST
A/R	A/R	-	13	09-0647873-___	PANEL, GRAPHIC INNER EDGE
A/R	A/R	-	14	01-026H702	SUB ASSY, LIGHTED SIGN TRIO INNER EDGE FST
-	-	1	15	07-788626-023	PLATE, FRAME 8-LT SEDAN BLACK RST INNER EDGE
1	1	1	16	46-0788625-02	HARNESS "A" WeCanX INNER EDGE RST
1	1	1	17	46-0788625-03	HARNESS "B" WeCanX INNER EDGE RST
1	1	1	18	10-0548202-___	LABEL, P/N M/N WCX INNER EDGE RST







QTY	QTY	QTY	ITEM	PART NUMBER	DESCRIPTION
	*			01-06885930_0	INNER EDGE RST SOLO/DUO WCX 8 LT
	*			01-06885930_1	INNER EDGE RST SOLO/DUO WCX 10 LT
*				01-06885930_2	INNER EDGE RST SOLO/DUO WCX 12 LT
-	1	-	1	07-788295-023	PLATE, FRAME 10-LT BLACK INNER EDGE RST
1	-	-	2	07-788301-023	PLATE, FRAME 12-LT BLACK INNER EDGE RST
4	4	4	3	14-040216-041	SCREW, 4-40 X 1/4 PPHMS SEMS W/IT LOCK WASHER, SS
1	1	1	4	02-016J531-00	PCB CONTROL BD 24 OUTPUT INNER EDGE WeCanX SMT
24	20	16	5	14-040115-04D	SCREW, 4-40 X 1/4 PPHMS TAPTITE, BLACK OXIDE
1	1	1	6	46-0788264-00	HARNESS "C" INNER EDGE FST/RST
1	1	1	7	46-0788625-01	HARNESS "D" WeCanX INNER EDGE FST/RST
OPT	OPT	OPT	8	01-026H214-_0	SUB ASSY, LTHEAD SOLO INNER EDGE FST
OPT	OPT	OPT	9	01-026H214-__	SUB ASSY, LTHEAD DUO INNER EDGE FST
1	1	1	10	46-0746909-00	CABLE INPUT 4/C 20' SL-156
1	1	1	11	39-1M18534-05	HOUSING, PLUG 5 POS SL-156 W/LOCKING RAMP, LID
1	1	1	12	26-0215001-06	TY WRAP, 6" BLACK
12	10	8	13	68-196H348-31	LENS, CLEAR OPTIC PLATE INNER EDGE RST
A/R	A/R	-	14	09-0647873-__	PANEL, GRAPHIC INNER EDGE
A/R	A/R	-	15	01-026H702-__	SUB ASSY, LIGHTED SIGN DUO INNER EDGE FST
-	-	1	16	07-788626-023	PLATE, FRAME 8-LT SEDAN BLACK RST INNER EDGE
1	1	1	17	46-0788625-02	HARNESS "A" WeCanX INNER EDGE RST
1	1	1	18	46-0788625-03	HARNESS "B" WeCanX INNER EDGE RST
1	1	1	19	10-0548202-__	LABEL, P/N M/N WCX INNER EDGE RST



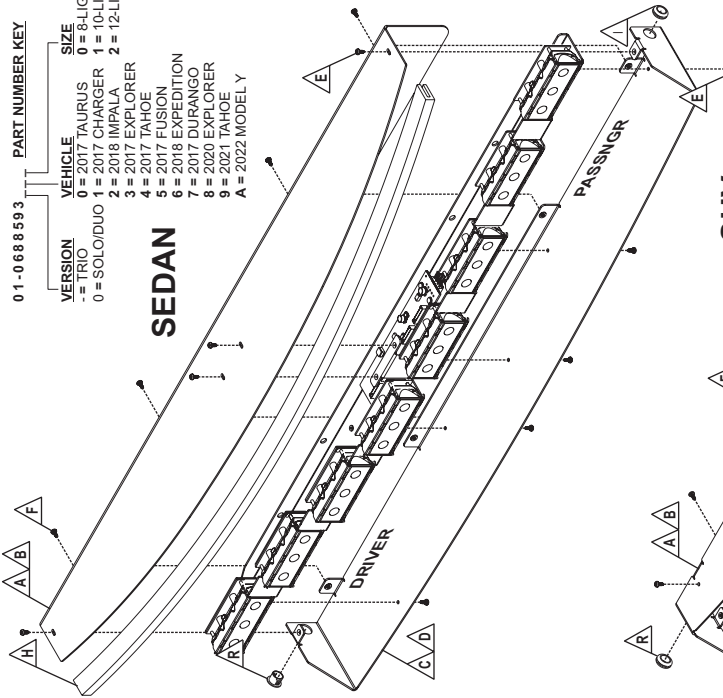
01-0688593

**VERSION**  
 1=TRIO  
 0=SOLO/IDUO

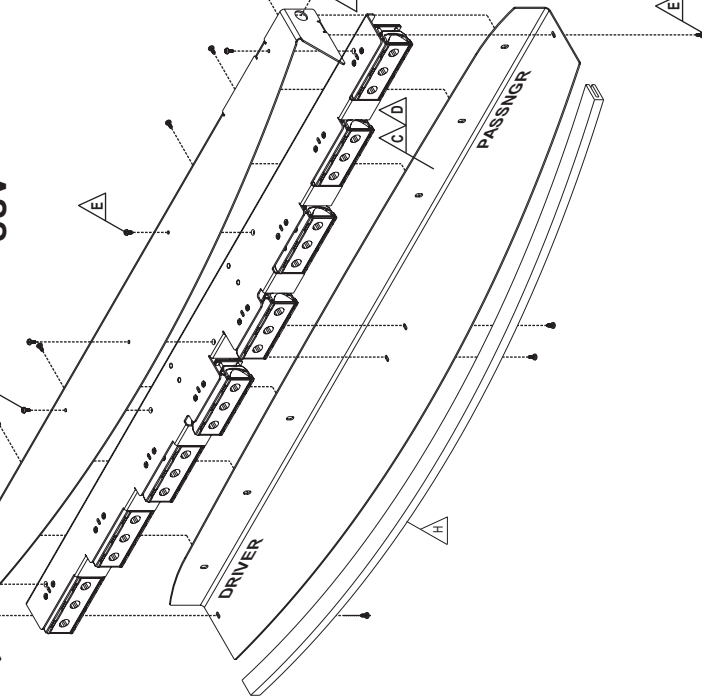
**VEHICLE**  
 0=2017 TAURUS  
 2=2018 CHARGER  
 4=2019 EXPLORER  
 5=2017 FUSION  
 6=2018 EXPEDITION  
 7=2017 DURANGO  
 8=2020 EXPLORER  
 9=2021 TAHOE  
 A=2022 MODEL Y

**SIZE**  
 0=8-LIGHT  
 1=10-LIGHT  
 2=12-LIGHT

**SEDAN**



**SUV**



**FORD**

**2017 - EXPLORER/INTERCEPTOR**

QTY/ITEM	PART NUMBER	DESCRIPTION
*	01-0688593_3_	REAR INNER EDGE, 8/10 LIGHT
1	A 11-288296-007	COVER, UPPER 8 & 10 17 EXPLORER BLACK INNER EDGE RST
1	C 11-288297-007	COVER, LOWER 8 & 10 17 EXPLORER BLACK INNER EDGE RST
9	E 14-04028C-04D	SCREW, 4-40 X 1/4 TYPH TAPITTE SS 18-8 BLK
6	F 14-08228C-06D	SCREW, 6-32 X 3/8 PAN TORX HD ROLCK SS BLACK OXIDE
1	G 21-11121602-00	GROMMET, 3/8 ID X 1/2 HOLE
1	H 38-0546827-31	TRIM, SEAL HOUSING/WINDSHIELD INNER-EDGE RTX
1	I 21-3718425-05	PLUG, DOME, 1/2" HOLE DIA DP 500, BLK NYLON, 94V2
1	K 07-247337-023	BRACKET, MTG DRV R EXPLORER BLK 3-COLOR REAR INNER-EDGE
1	L 07-247337-123	BRACKET, MTG PASS EXPLORER BLK 3-COLOR REAR INNER-EDGE
8	M 15-107036-100	SCREW, 10 X 5/8" HEXHEAD SELF DRILLING SS

**2017 - FUSION**

QTY/ITEM	PART NUMBER	DESCRIPTION
*	01-0688593_5_	REAR INNER EDGE, 8/10 LIGHT
1	A 11-288305-007	COVER, UPPER 8 & 10 17 FUSION BLACK INNER-EDGE RST
1	C 11-288306-007	COVER, LOWER 8 & 10 17 FUSION BLACK INNER-EDGE RST
9	E 14-04028C-04D	SCREW, 4-40 X 1/4 TYPH TAPITTE SS 18-8 BLK
4	F 14-08228C-06D	SCREW, 6-32 X 3/8 PAN TORX HD ROLCK SS BLACK OXIDE
1	G 21-11121602-00	GROMMET, 3/8 ID X 1/2 HOLE
1	H 38-0546827-31	TRIM, SEAL HOUSING/WINDSHIELD INNER-EDGE RTX
1	I 21-3718425-05	PLUG, DOME, 1/2" HOLE DIA DP 500, BLK NYLON, 94V2
1	K 07-247875-023	BRACKET, MTG DRV R FUSION BLK INNER-EDGE RST
1	L 07-247875-123	BRACKET, MTG PASS FUSION BLK INNER-EDGE RST
2	M 14-13021C-400	SCREW, 1/4-20 X 1/2, PPHMS 18-8 SS, BLK OX
2	N 16-1310820-02	WASHER, 1/4" EXTRNL TOOTH LOCK STAINLESS STEEL
2	O 20-5624129H00	SPACER, 1.34 L 3/4 D 1/4 LPDE PLASTIC MOMASTER #02825A1
2	P 16-1302008-00	WASHER, 1/4" FLAT 5/8" OD ZN CHRM STEEL GR8 NC #80823A029
2	Q 13-130130-072	NUT, 1/4-20 ELASTIC STOP BRASS

**2017 - TAURUS/INTERCEPTOR**

QTY/ITEM	PART NUMBER	DESCRIPTION	
*	01-0688593_0_	REAR INNER EDGE, 8/10 LIGHT	
-	1	A 11-288299-007	COVER, UPPER 8 & 10 17 TAURUS BLACK INNER-EDGE RST
-	1	B 11-288311-007	COVER, UPPER 12-LT 2017 TAURUS INNER-EDGE RST
-	1	C 11-288300-007	COVER, LOWER 8 & 10 LT RST 17 TAURUS REAR INNER-EDGE
1	D 11-288312-007	COVER, LOWER 12-LT 2017 TAURUS REAR INNER-EDGE RST	
10	E 14-04028C-04D	SCREW, 4-40 X 1/4 TYPH TAPITTE SS 18-8 BLK	
4	F 14-08228C-06D	SCREW, 6-32 X 3/8 PAN TORX HD ROLCK SS BLACK OXIDE	
-	1	G 21-11121602-00	GROMMET, 3/8 ID X 1/2 HOLE
1	H 38-0546827-31	TRIM, SEAL HOUSING/WINDSHIELD INNER-EDGE RTX	
-	1	I 21-3718425-05	PLUG, DOME, 1/2" HOLE DIA DP 500, BLK NYLON, 94V2
1	K 07-247292-023	BRACKET, MTG DRV R TAURUS REAR INNER-EDGE	
1	L 07-247292-123	BRACKET, MTG PASS TAURUS REAR INNER-EDGE	
2	M 14-130436-120	SCREW, 1/4-20 X 3/4" HEX HD MS SS	
4	N 14-130216-100	SCREW, 1/4-20 X 3/8 PPHMS SS	
6	O 16-1310820-02	WASHER, 1/4" EXTRNL TOOTH LOCK STAINLESS STEEL	
6	P 16-1301827-60	WASHER, 1/4" FLAT 1/4" ID X 5/8" ODX 040 THK SS BLK OXIDE	
2	Q 07-262684-023	BRACKET, ADJ MTG DECK W/O INT BLACK	
1	-	R 21-11101610-0	GROMMET, 5/16 ID X 1/2 HOLE

**2020 - EXPLORER/INTERCEPTOR**

QTY/ITEM	PART NUMBER	DESCRIPTION
*	01-0688593_8_	REAR INNER EDGE, 8/10 LIGHT
1	A 11-288610-007	COVER, UPPER 8 & 10 20 EXPLORER BLACK INNER-EDGE RST
1	C 11-288611-007	COVER, LOWER 8 & 10 20 EXPLORER BLACK INNER-EDGE RST
9	E 14-04028C-04D	SCREW, 4-40 X 1/4 TYPH TAPITTE SS 18-8 BLK
6	F 14-08228C-06D	SCREW, 6-32 X 3/8 PAN TORX HD ROLCK SS BLACK OXIDE
1	G 21-11121602-00	GROMMET, 3/8 ID X 1/2 HOLE
1	H 38-0546827-31	TRIM, SEAL HOUSING/WINDSHIELD INNER-EDGE RTX
1	I 21-3718425-05	PLUG, DOME, 1/2" HOLE DIA DP 500, BLK NYLON, 94V2
1	K 07-26J432-023	BRACKET, MTG DRV R 2020 EXPLORER BLACK INNER-EDGE RST
1	L 07-26J432-123	BRACKET, MTG PASS 2020 EXPLORER BLACK INNER-EDGE RST
8	M 15-107036-100	SCREW, 10 X 5/8" HEXHEAD SELF DRILLING SS

**2018 - EXPEDITION**

QTY/ITEM	PART NUMBER	DESCRIPTION
*	01-0688593_6_	REAR INNER EDGE, 8/10 LIGHT
1	A 11-288435-007	COVER, UPPER 8 & 10 18 EXPEDITION BLACK INNER-EDGE RST
1	C 11-288436-007	COVER, LOWER 8 & 10 18 EXPEDITION BLACK INNER-EDGE RST
9	E 14-04028C-04D	SCREW, 4-40 X 1/4 TYPH TAPITTE SS 18-8 BLK
8	F 14-08228C-06D	SCREW, 6-32 X 3/8 PAN TORX HD ROLCK SS BLACK OXIDE
1	G 21-11121602-00	GROMMET, 3/8 ID X 1/2 HOLE
1	H 38-0546827-31	TRIM, SEAL HOUSING/WINDSHIELD INNER-EDGE RTX
1	I 21-3718425-05	PLUG, DOME, 1/2" HOLE DIA DP 500, BLK NYLON, 94V2
1	K 07-26H803-023	BRACKET, MTG DRV R EXPEDITION BLK INNER-EDGE RST
1	L 07-26H803-123	BRACKET, MTG PASS EXPEDITION BLK INNER-EDGE RST
4	M 15-107036-100	SCREW, 10 X 5/8" HEXHEAD SELF DRILLING SS

**DODGE**

**2017 - CHARGER**

QTY/ITEM	PART NUMBER	DESCRIPTION	
*	01-0688593_1_	REAR INNER-EDGE, 8/10 LIGHT	
-	1	A 11-288303-007	COVER, UPPER 8 & 10 LT RST 17 CHARGER REAR INNER-EDGE BLK
-	1	B 11-288313-007	COVER, UPPER 12-LT 17 CHARGER REAR INNER-EDGE RST
-	1	C 11-288304-007	COVER, LOWER 8 & 10 LT RST 17 CHARGER REAR INNER-EDGE BLK
-	1	D 11-288314-007	COVER, LOWER 12-LT 17 CHARGER REAR INNER-EDGE RST
10	E 14-04028C-04D	SCREW, 4-40 X 1/4 TYPH TAPITTE SS 18-8 BLK	
4	F 14-08228C-06D	SCREW, 6-32 X 3/8 PAN TORX HD ROLCK SS BLACK OXIDE	
-	1	G 21-11121602-00	GROMMET, 3/8 ID X 1/2 HOLE
1	H 38-0546827-31	TRIM, SEAL HOUSING/WINDSHIELD INNER-EDGE RTX	
-	1	I 21-3718425-05	PLUG, DOME, 1/2" HOLE DIA DP 500, BLK NYLON, 94V2
1	K 07-247294-023	BRACKET, MTG DRV R CHARGER 3-COLOR REAR INNER-EDGE	
1	L 07-247294-123	BRACKET, MTG PASS CHARGER 3-COLOR REAR INNER-EDGE	
2	M 14-148436-160	BOLT, 5/16-18 X 1 HEXHEAD SS	
2	N 13-148132-082	NUT, 5/16-18 ELASTIC STOP NICKEL PLATED BRASS	
2	O 16-1402420-05	WASHER, 5/16" FLAT SS 3/4" OD	
2	P 16-1412420-05	WASHER, 5/16" EXTRNL TOOTH LOCK PLATED	
1	-	R 21-11101610-0	GROMMET, 5/16 ID X 1/2 HOLE

Listings continued on next page

# DODGE

## 2017 - CHARGER

QTY	ITEM	PART NUMBER	DESCRIPTION
*		01-0688593_1_	REAR INNER EDGE, 8/10 LIGHT
*		01-0688593_12	REAR INNER EDGE, 12 LIGHT
-	1	A 11-288303-007	COVER,UPPER 8 & 10-LT RST 17 CHARGER REAR INNER EDGE BLK
1	-	B 11-288313-007	COVER,UPPER 12-LT 17 CHARGER REAR INNER EDGE RST
-	1	C 11-288304-007	COVER,LOWER 8 & 10-LT RST 17 CHARGER REAR INNER EDGE BLK
1	-	D 11-288314-007	COVER,LOWER 12-LT 17 CHARGER REAR INNER EDGE RST
10	9	E 14-04028C-04D	SCREW, 4-40 X 1/4 TXPH TAPTITE SS 18-8 BLK
4	4	F 14-08228C-06D	SCREW, 8-32 X 3/8" PAN TORX HD ROLOK SS BLACK OXIDE
-	1	G 21-11121602-00	GROMMET, 3/8 ID X 1/2 HOLE
1	1	H 38-0546827-___	TRIM, SEAL HOUSING/WINDSHIELD INNER-EDGE RTX
-	1	I 21-3718425-05	PLUG, DOME, 1/2" HOLE DIA DP 500, BLK NYLON, 94V-2
1	1	K 07-247294-023	BRACKET, MTG DRVR CHARGER 3-COLOR REAR INNER EDGE
1	1	L 07-247294-123	BRACKET, MTG PASS CHARGER 3-COLOR REAR INNER EDGE
2	2	M 14-148436-160	BOLT, 5/16-18 X 1 HEX HEAD SS
2	2	N 13-148132-082	NUT, 5/16-18 ELASTIC STOP NICKEL PLATED BRASS
2	2	O 16-1402420-05	WASHER, 5/16" FLAT SS 3/4" OD
2	2	P 16-1412420-05	WASHER, 5/16 EXTRNL TOOTH LOCK PLATED
1	-	R 21-11101610-0	GROMMET, 5/16 ID X 1/2 HOLE

## 2017 - DURANGO

QTY	ITEM	PART NUMBER	DESCRIPTION
*		01-0688593_7_	REAR INNER EDGE, 8/10 LIGHT
1	A	11-288472-007	COVER,UPPER 8 & 10 17 DURANGO BLACK INNER EDGE RST
1	C	11-288473-007	COVER,LOWER 8 & 10 17 DURANGO BLACK INNER EDGE RST
9	E	14-04028C-04D	SCREW, 4-40 X 1/4 TXPH TAPTITE SS 18-8 BLK
6	F	14-08228C-06D	SCREW, 8-32 X 3/8" PAN TORX HD ROLOK SS BLACK OXIDE
1	G	21-11121602-00	GROMMET, 3/8 ID X 1/2 HOLE
1	H	38-0546827-31	TRIM, SEAL HOUSING/WINDSHIELD INNER-EDGE RTX
1	I	21-3718425-05	PLUG, DOME, 1/2" HOLE DIA DP 500, BLK NYLON, 94V-2
1	K	07-247989-023	BRACKET, MTG DRVR DURANGO BLK REAR INNER-EDGE
1	L	07-247989-123	BRACKET, MTG PASS DURANGO BLK REAR INNER-EDGE
8	M	15-107036-100	SCREW, 10 X 5/8" HEXHEAD SELF DRILLING/SS

# CHEVROLET

## 2018 - IMPALA

QTY	ITEM	PART NUMBER	DESCRIPTION
*		01-0688593_2_	REAR INNER EDGE, 8/10 LIGHT
*		01-0688593_22	REAR INNER EDGE, 12 LIGHT
-	1	A 11-288599-007	COVER,UPPER 8/10-LT 18 IMPALA BLK REAR INNER EDGE
1	-	B 11-288596-007	COVER,UPPER 12-LT 2018 IMPALA BLK REAR INNER EDGE
-	1	C 11-288600-007	COVER,LOWER 8/10-LT 18 IMPALA BLK REAR INNER EDGE
1	-	D 11-288597-007	COVER,LOWER 12-LT 2018 IMPALA BLK REAR INNER EDGE
10	9	E 14-04028C-04D	SCREW, 4-40 X 1/4 TXPH TAPTITE SS 18-8 BLK
4	4	F 14-08228C-06D	SCREW, 8-32 X 3/8" PAN TORX HD ROLOK SS BLACK OXIDE
-	1	G 21-11121602-00	GROMMET, 3/8 ID X 1/2 HOLE
1	1	H 38-0546827-___	TRIM, SEAL HOUSING/WINDSHIELD INNER-EDGE RTX
-	1	I 21-3718425-05	PLUG, DOME, 1/2" HOLE DIA DP 500, BLK NYLON, 94V-2
1	1	K 07-248165-023	BRACKET, MTG TOP 2018 IMPALA BLACK REAR INNER EDGE
1	1	L 07-247478-023	BRACKET, MTG BOTTOM IMPALA BLK 3-COLOR REAR INNER-EDGE
2	2	M 14-146016-640	SCREW, 5/16-18 X 4" PHIL RHMS FULL THREAD
2	2	N 13-148132-082	NUT, 5/16-18 ELASTIC STOP NICKEL PLATED BRASS
2	2	O 16-1402420-05	WASHER, 5/16" FLAT SS 3/4" OD
1	-	R 21-11101610-0	GROMMET, 5/16 ID X 1/2 HOLE

## 2017 - TAHOE

QTY	ITEM	PART NUMBER	DESCRIPTION
*		01-0688593_4_	REAR INNER EDGE, 8/10 LIGHT
1	A	11-288309-007	COVER,UPPER 8 & 10-LT 17 TAHOE REAR INNER EDGE BLK
1	C	11-288310-007	COVER,LOWER 8 & 10-LT 17 TAHOE REAR INNER EDGE BLK
9	E	14-04028C-04D	SCREW, 4-40 X 1/4 TXPH TAPTITE SS 18-8 BLK
6	F	14-08228C-06D	SCREW, 8-32 X 3/8" PAN TORX HD ROLOK SS BLACK OXIDE
1	G	21-11121602-00	GROMMET, 3/8 ID X 1/2 HOLE
1	H	38-0546827-31	TRIM, SEAL HOUSING/WINDSHIELD INNER-EDGE RTX
1	I	21-3718425-05	PLUG, DOME, 1/2" HOLE DIA DP 500, BLK NYLON, 94V-2
1	K	07-247338-023	BRACKET, MTG DRVR TAHOE BLK 3-COLOR REAR INNER-EDGE
1	L	07-247338-123	BRACKET, MTG PASS TAHOE BLK 3-COLOR REAR INNER-EDGE
4	M	14-104436-120	SCREW, 10 X 3/4" HHMS SS
1	N	07-724017-000	PLATE, DOUBLER TAHOE DRIVER REAR INNER EDGE
1	O	07-724017-100	PLATE, DOUBLER TAHOE PASS REAR INNER EDGE

## 2021 - TAHOE

QTY	ITEM	PART NUMBER	DESCRIPTION
*		01-0688593_9_	REAR INNER EDGE, 8/10 LIGHT
1	A	11-288786-007	COVER,UPPER 8/10-LT 21 TAHOE BLACK REAR INNER EDGE RST
1	C	11-288787-007	COVER,LOWER 8/10-LT 21 TAHOE BLACK REAR INNER EDGE RST
9	E	14-04028C-04D	SCREW, 4-40 X 1/4 TXPH TAPTITE SS 18-8 BLK
6	F	14-08228C-06D	SCREW, 8-32 X 3/8" PAN TORX HD ROLOK SS BLACK OXIDE
1	G	21-11121602-00	GROMMET, 3/8 ID X 1/2 HOLE
1	H	38-0546827-31	TRIM, SEAL HOUSING/WINDSHIELD INNER-EDGE RTX
1	I	21-3718425-05	PLUG, DOME, 1/2" HOLE DIA DP 500, BLK NYLON, 94V-2
1	J	10-056E563-30	LABEL, WHELEN LOGO GREY 2.75"
1	K	07-26J981-023	BRACKET, MTG PASS 2021 TAHOE BLACK INNER EDGE RST
1	L	07-26J981-123	BRACKET, MTG DRVR 2021 TAHOE BLACK INNER EDGE RST
2	M	13-130F20-00F	RIVNUT, 1/4-20 X .580" L STEEL, YELLOW ZN #AELS-420-165
2	N	14-130436-100	SCREW, 1/4-20 X 5/8 HEX HD CAP
2	O	16-1301820-60	WASHER, 1/4 FLAT 1/4" ID X 5/8" OD X .040 THK
1	S	10-056J509-10	LABEL, WeCanX LOGO WHITE 3.75"
1	T	04-056K134-00	TEMPLATE, MOUNTING RST, 2021 TAHOE

# TESLA

## 2022 - TESLA MODEL Y

QTY	ITEM	PART NUMBER	DESCRIPTION
*		01-0688593_A0	REAR INNER EDGE, 8 LIGHT
1	A	11-288916-007	COVER,UPPER 2022 TESLA Y BLACK INNER EDGE RST
1	C	11-288917-007	COVER,BOTTOM 2022 TESLA Y BLACK INNER EDGE RST
9	E	14-04028C-04D	SCREW, 4-40 X 1/4 TXPH TAPTITE SS 18-8 BLK
4	F	14-08228C-06D	SCREW, 8-32 X 3/8" PAN TORX HD ROLOK SS BLACK OXIDE
1	G	21-11121602-00	GROMMET, 3/8 ID X 1/2 HOLE
1	H	38-0546827-31	TRIM, SEAL HOUSING/WINDSHIELD INNER-EDGE RTX
1	I	21-3718425-05	PLUG, DOME, 1/2" HOLE DIA DP 500, BLK NYLON, 94V-2
1	J	10-056E563-30	LABEL, WHELEN LOGO GREY 2.75"
1	K	07-288918-023	BRACKET, MTG DRVR 2022 TESLA Y BLACK INNER EDGE RST
1	L	07-288919-023	BRACKET, MTG PASS 2022 TESLA Y BLACK INNER EDGE RST
6	M	15-107036-100	SCREW, 10 X 5/8" HEXHEAD SELF DRILLING/SS
1	N	07-788915-023	PLATE, FRAME 8-LT 2022 TESLA Y
1	S	10-056J509-10	LABEL, WeCanX LOGO WHITE 3.75"