

EUROPEAN CATALOGUE

PROFESSIONAL WARNING AND LIGHTING

UNECE R65 & R10 Compliant Products

WHELEN ENGINEERING COMPANY, INC.



WHELEN[®]
ENGINEERING COMPANY INC.

FOR INTERNAL USE ONLY

TABLE OF CONTENTS

Lightbars.....	04
Mini Lightbars	14
Lightheads	20
Beacons	30
Interior Lights.....	34
Traffic Advisor™	38
CenCom Core®	40
WeCanX® Control Heads	42
Sirens and Speakers	44
White Illumination.....	54

@WhelenENG



ABOUT WHELEN

For more than 70 years, Whelen Engineering has been a trusted partner to first responders worldwide, driven by our mission to protect those who protect others. Our reliable products support critical missions in the Automotive, Aviation, and Mass Notification industries worldwide.

From warning lights to white illumination, sirens, controllers, and software, every Whelen product is designed, manufactured, and rigorously tested on-site at our American facilities to meet the toughest industry standards, including UNECE Regulations 65 and 10 for European compliance. Distribution and final assembly of European-certified products are completed at our European facility, providing tailored solutions for the local market.

We are honored to be trusted leaders in the emergency warning industry. We carry that responsibility earnestly, always striving to ensure that those serving under the illumination and protection of our products are equipped to do their jobs with enhanced efficiency, reliability, and safety.

TECH GLOSSARY

BroadBand Blue™

BroadBand Blue delivers a higher intensity, creates a larger optical image, and produces a more consistent color, all while being easier on the eyes - especially at night.

Conformal Coating

A thin material that conforms to the contours of the PCB to protect the electronic components from harsh environments and impact.

DUO™

Two-color interleaved with independent control of color one and color two

DVI™ (Dynamic Variable Intensity™)

DVI patterns gradually increase and decrease warning light intensity, which better conveys visual information to approaching motorists at night. These patterns clearly indicate when a vehicle is parked and improves a driver's ability to safely navigate around a work zone.

DYAD™

Two-level technology

E Block™

Whelen's patented E Block technology protects against the elements by creating a watertight seal around a unit's stranded wires, preventing moisture from entering the lighthouse.

Encapsulated

Lightheads are fully encapsulated for moisture and vibration resistance.

Hard-Coat

Whelen's industry-first innovative Hard-Coating process counteracts the effects of environmental and chemical damages to our lenses and domes.

Linear-LED® - (Super-LED™)

Whelen's optimized use of the latest generation of LEDs and unique reflector optics to produce highly intense light that has superior wide-angle visibility and rivals strobe in performance.

Low Current

Low current function wires require less than 0.25 amp to operate, allowing for simple operation of each lightbar function.

ProFocus™

Whelen's innovative single optic LED technology that can be customized and programmed as a spotlight or floodlight, with no moving parts.

Proclera® Silicone Optics

Whelen's innovative and efficient solution to distorted optical shape and fringe lighting. Proclera Optics feature 100% internal silicone optic technology, an increased ability to harness LED output and better direct and focus light, and a fully-filled square TIR optic to increase optic efficiency compared to a conventional circular TIR.

Rota-Beam™

Solid-state "rotating" technology, simulating the appearance of a rotating beacon without any moving parts or motors for long-life reliability.

Scan-Lock™

Whelen's advanced method of changing a products flash pattern. Scan-Lock utilizes an external wire to allow the user to cycle through the entire range of flash patterns, allowing for full customization.

Scan-Lock+™

The Scan-Lock+ app is the simplest way to change Whelen flash patterns. Designed for optimal convenience, Scan-Lock+ features an easy to use interface and utilizes a Bluetooth connection. Download the Scan-Lock+ app and browse, test, and assign Whelen flash patterns right from your phone.

SmartLED®

Whelen's distinctive use of self-contained electronics to power and flash a particular LED product. These products require no external flasher, ballast, or power supply to operate.

SOLO™

Single-color LEDs

Split

Two-color lighthouse where each color fills half of the reflector

Standard Current

Lightbar functions are wired directly to the switching device and require switches that are matched to the current draw of the desired functions to be activated.

Steady-Lock™

A time-saving feature that allows Whelen's most popular warning lightheads to be set to Steady automatically when used with a CenCom Core® system.

Super-LED®

Whelen's innovative LED technology

Sync

Sync provides the ability to connect multiple Whelen devices to flash together or in alternating patterns. Products with this capability allow the user to create coordinating flashing schemes.

TIR™ - (Total Internal Reflection)

Whelen's optimized use of the latest generation of LEDs and unique reflector optics to produce highly intense light that can be directional in nature.

TRIO™

Three-color interleaved with independent control of color one, color two, and color three

WeCad™

Engineered for optimal accessibility, WeCad lightbar designer delivers the ability to design custom Whelen lightbars with every available option. Adding R65 compliant options is simple, and a bill of materials will be generated to make ordering fast and easy.

WeCan®

Whelen's proprietary CAN-based communication system

WeCanX®

Whelen's smartest and most powerful CAN-based communication system. WeCanX provides true system synchronization, greater speed capabilities, expanded peripheral add-ons, and full support of diagnostics.

ICON LEGEND

2-Year Warranty	5-Year Warranty	10-Year Warranty	12 Volt	24 Volt	10-30 Volts	120 AC	30 Watt	100 Watt	200 Watt	2 Tones	IP67 Rated	CIA447	Real Time Diagnostics
AC Models UL Approved	ECE R10 Approved	ECE R148 Approved	Low Current Switching	Standard Current	SAE Class 1	Hard-Coated	Hands-Free	Sync	Scan-Lock™	Cruise	DVI™ Enabled	Steady-Lock®	WeCanX® Compatible
R65 Amber Class 1	R65 Blue Class 1	R65 Red Class 1	R65 Amber Class 2	R65 Blue Class 2	R65 Red Class 2								

WHELEN WEBSITE



To learn about our full line of emergency lighting and warning products, visit us at whelen.com.

SOFTWARE DOWNLOADS



To download WeCad™, Whelen Command®, and Pioneer™ Designer go to whelen.com/software-downloads.

ILLUMINATION DESIGNER



Create custom layouts and visualize your vehicle setup with Illumination Designer, by visiting illuminationdesigner.whelen.com.

SIMULATE™



Save time and streamline programming of your WeCanX® configurations with Simulate. Visit simulate.whelen.com.



Chester, Connecticut facility



Charlestown, New Hampshire facility



Nysa, Poland facility



Brisbane, Australia facility

UNECE R65 Compliance Reference

	R65 Amber Class 1	R65 Amber Class 2	R65 Blue Class 1	R65 Blue Class 2	R65 Red Class 1	R65 Red Class 2
LIGHTBARS						
WeCanX® 2250		●		●		●
Edge® 9X Series		●		●		●
Legacy® Series	●			●		●
Liberty™ II Series	●			●		●
Justice® Series	●			●		
Freedom® IV Series		●		●		
Century™ Series	●		●			
MINI LIGHTBARS						
Mini Edge 9X Series		●		●		●
Mini Legacy Series	●			●		●
Mini Liberty II Series	●			●		
Mini Justice Series	●			●		
Mini Century Series			●			
LIGHTHEADS						
ION® SOLO™ Series	●			●		
ION DUO™ Series			●		●	
T-Series	●		●	●		●
Mini T-Series	●		●	●	●	●
ION V-Series™	●		●		●	
VXE™ Series	●		●		●	
Vertex™ Series	●		●			
M2 Series				●	●	
M4 Series		●		●		●
M6 Series		●		●		
M7 Series		●		●		●
BEACONS						
L31 Series				●		
L32 Series			●			
L41 Series	●			●		
R416 Series				●		

● = Coming Soon

LIGHTBARS



WeCanX[®] 2250 Series



FEATURES

- Utilizes powerful T-Series™ lightheads
- E Block™ technology prevents air and moisture from entering lighthead
- 3" slimmer than 4500 series
- Flush mount (slide bolt)
- 12/24 VDC
- Dynamic Variable Intensity™ (DVI™) light patterns
- Functionality configurable in Whelen Command®
- Lighthead configurations easily defined within Whelen's WeCad™ Software
- Choose between angled or flat end caps
- Hard-coated lenses resist environmental damage from sand, sun, salt, and road chemicals
- Consult WeCad™ for available options

OPTIONS



Flat End Caps



Angled End Caps



Aerial Recognition Light

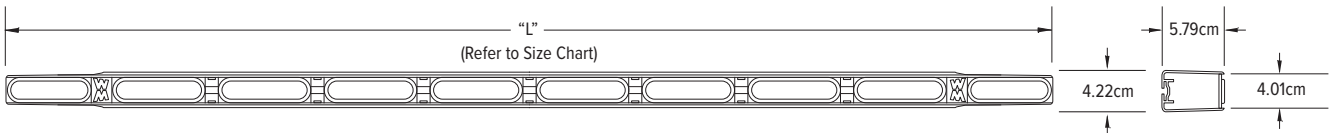


Blank Filler Panel



Brake/Tail/Turn Lights

DIMENSIONS



"L" Size Chart (With Angled End Caps, Ordered Separately)

76.20cm	101.60cm	127cm	152.40cm	177.80cm	203.20cm
---------	----------	-------	----------	----------	----------

"L" Size Chart (With Flat End Caps, Ordered Separately)

55.88cm	81.28cm	106.68cm	132.08cm	157.48cm	182.88cm	208.28cm
---------	---------	----------	----------	----------	----------	----------

"L" Size Chart (With Angled & Flat End Caps, Ordered Separately)

63.50cm	88.90cm	114.30cm	139.70cm	165.10cm	190.50cm
---------	---------	----------	----------	----------	----------

Edge® 9X Series

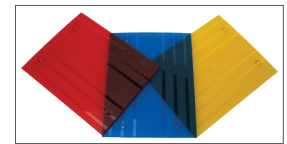


FEATURES

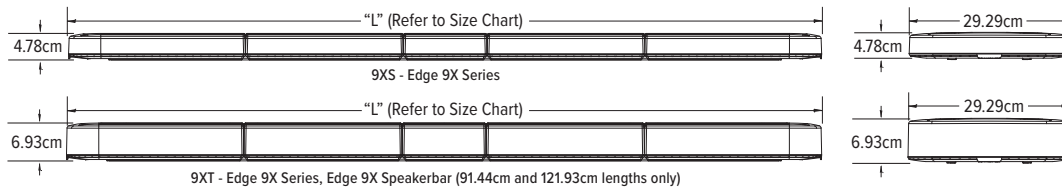
- Advanced thermal design reduces stress on LEDs during extended operation
- Molded polycarbonate Black tops provide protection from the elements
- 12/24 VDC
- Available in 2 profiles:
 - Short: 4.78cm H
 - Tall: 6.93cm H

- DUO™ Linear12™ LED, DUO Linear6™ LED Warning, and Scene Take-Down/Alley
- Photocell included
- Hard-coated lenses resist environmental damage from sand, sun, salt, and road chemicals
- Consult WeCad™ for available options

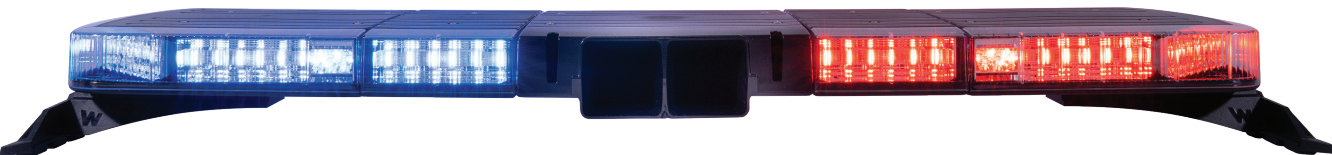
OPTION



Translucent Color Tops



Edge® 9X Speaker Bar

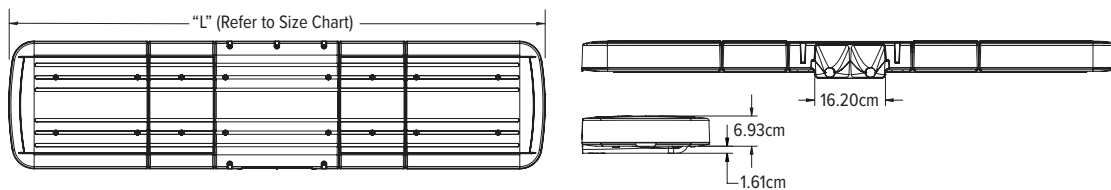


FEATURES

- Includes a 100-watt SAE Class 1 siren, compatible with any Whelen siren amplifier
- Advanced thermal design reduces stress on LEDs during extended operation
- Molded polycarbonate Black tops provide protection from the elements
- DUO™ Linear12™ LED, DUO Linear6™ LED Warning, and Scene Take-Down/Alley

- 12/24 VDC
- Photocell included
- Hard-coated lenses resist environmental damage from sand, sun, salt, and road chemicals
- Speaker option only available in Tall (9XT) models in 91.44cm and 121.92cm lengths
- Includes a 100-watt SAE Class One siren speaker
- Consult WeCad™ for available options

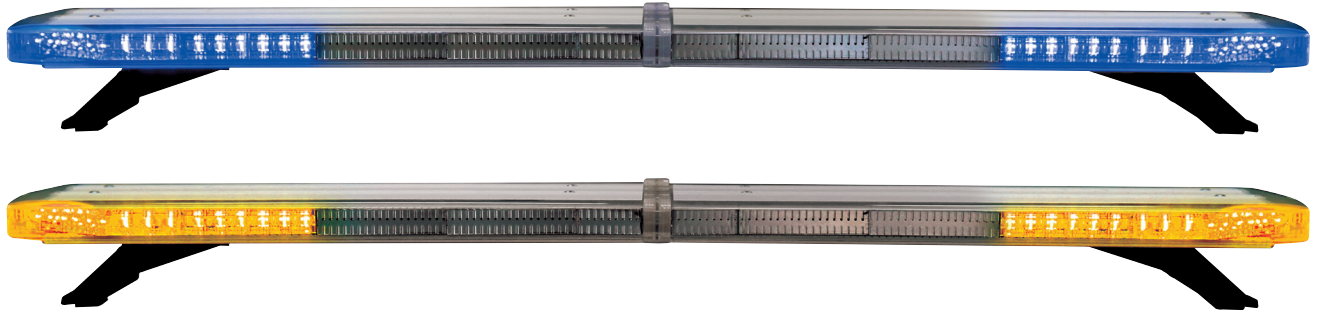
DIMENSIONS



"L" Size Chart

63.50cm	78.74cm	91.44cm	109.22cm	121.93cm	137.16cm	149.86cm	167.64cm	177.80cm
---------	---------	---------	----------	----------	----------	----------	----------	----------

Legacy® Series



FEATURES

- Advanced thermal design improves LED performance during extended operation
- Aluminum top repels hail and other environmental damages
- Center dividers with liquid injection molded seals protect internal components from water infiltration
- One-piece uni-dome construction with a single sealing point assures lightbar integrity in all weather conditions
- Proclera® Silicone Optics (available in Take-Down lights)
- Hard-coated lenses resist environmental damage from sand, sun, salt, and road chemicals
- Clear or Smoked domes available
- Consult WeCad™ for available options

OPTIONS



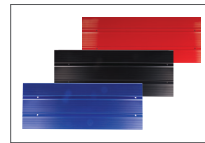
Alley Light



3-LED Take-Down



6-LED Take-Down

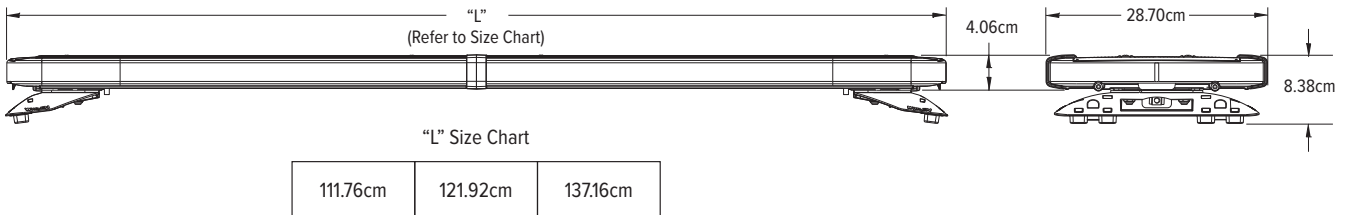


Color Tops



Midnight Edition

DIMENSIONS



Liberty™ II Series



FEATURES

- Advanced thermal design reduces stress on LEDs during extended operation
- Aluminum top repels hail and other environmental damages
- Center dividers with liquid injection molded seals protect internal components from water infiltration
- One-piece uni-dome construction with a single sealing point assures lightbar integrity in all weather conditions
- Proclera® Silicone Optics (available in Take-Down lights)
- Hard-coated lenses resist environmental damage from sand, sun, salt, and road chemicals
- Clear, Smoked, or Color domes available
- Consult WeCad™ for available options

OPTIONS



Long Lighthouse



12-LED Take-Down



Alley Light



Short Lighthouse



6-LED Take-Down



Filter



3-LED Take-Down

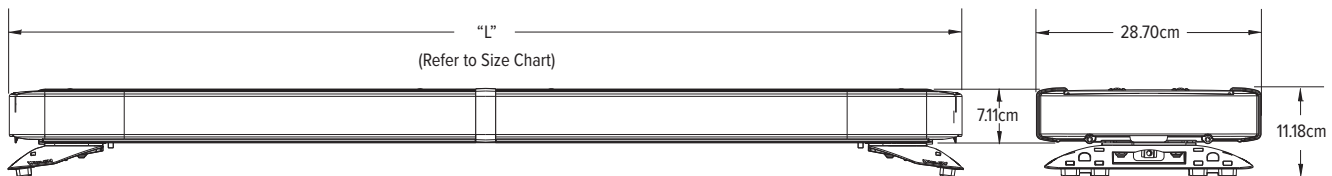


Color Tops



Midnight Edition

DIMENSIONS



"L" Size Chart

111.76cm	121.92cm	137.16cm
----------	----------	----------

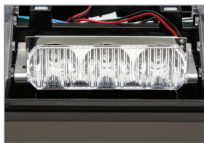
Justice® Series



FEATURES

- Advanced thermal design reduces stress on LEDs during extended operation
- Extruded aluminum platform and polycarbonate base
- Hard-coated domes resist environmental damage from sand, sun, salt, and road chemicals
- Each model has 1 or 2 sealing points, ensuring lightbar integrity in all weather conditions
- Easily upgraded or serviced in the field
- Clear, Smoked, or Color domes available
- Consult WeCad™ for available options

OPTIONS



CON3™ Module with Spreader Optics



Full LIN6™



Take-Down

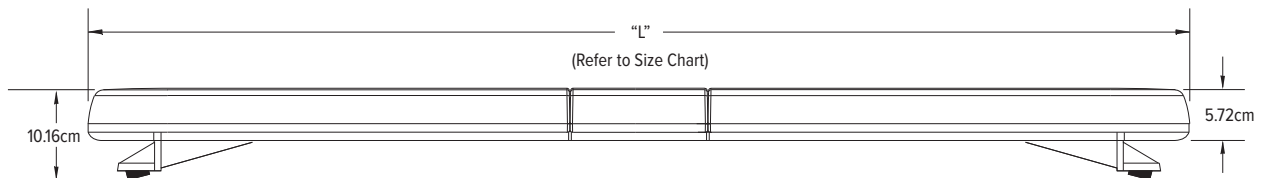


Alley Light



Work Light

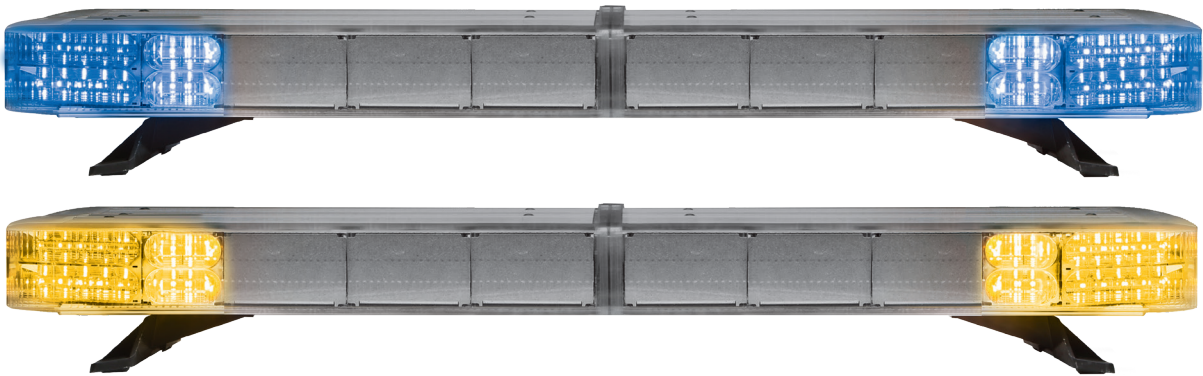
DIMENSIONS



“L” Size Chart

111.76cm	127cm	142.24cm	157.48cm
----------	-------	----------	----------

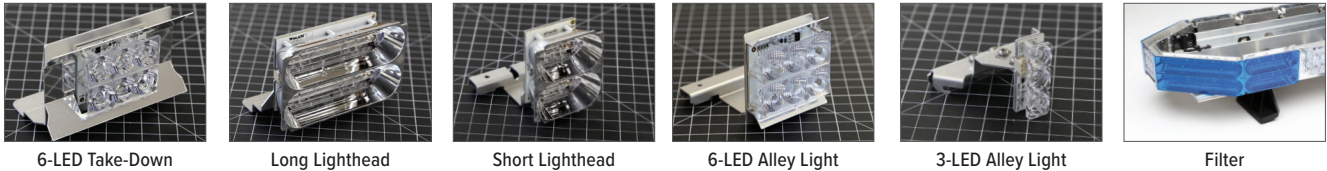
Freedom® IV Series



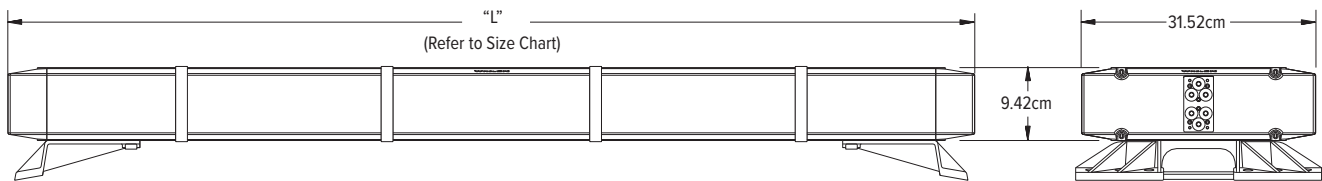
FEATURES

- Linear Super-LED® technology
- Advanced thermal design reduces stress on LEDs during extended operation
- Aluminum top repels hail and other environmental damages
- Center dividers with liquid injection molded seals protect internal components from water infiltration
- One-piece uni-dome construction with a single sealing point assures lightbar integrity in all weather conditions
- Hard-coated lenses resist environmental damage from sand, sun, salt, and road chemicals
- Clear, Smoked, or Color domes available
- Consult WeCad™ for available options

OPTIONS



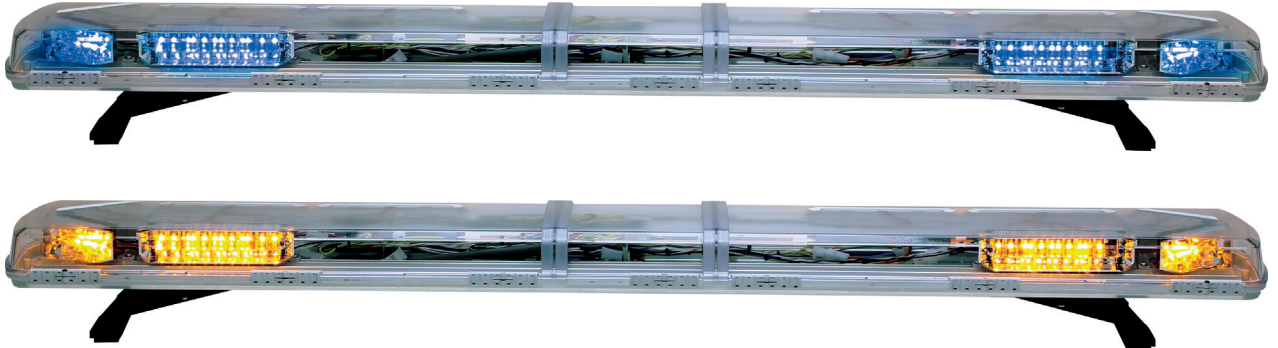
DIMENSIONS



“L” Size Chart

113.03cm	125.15cm	139.95cm	152.15cm	179.07cm	193.80cm	205.99cm	247.85cm
----------	----------	----------	----------	----------	----------	----------	----------

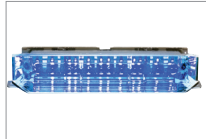
Century™ Series



FEATURES

- Compression fit gaskets for superior moisture resistance
- Extruded aluminum platform and polycarbonate domes
- Hard-coated domes resist environmental damage from sand, sun, salt, and road chemicals
- Clip-Lock™ system allows easy access to lightbar for service or upgrade
- Consult WeCad™ for available options

OPTIONS



LIN6 Lighthead

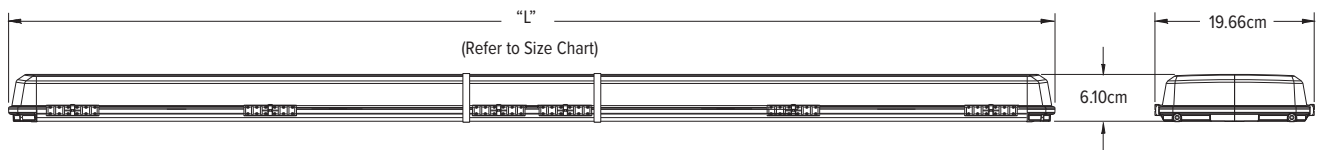


Alley Light



Take-Down

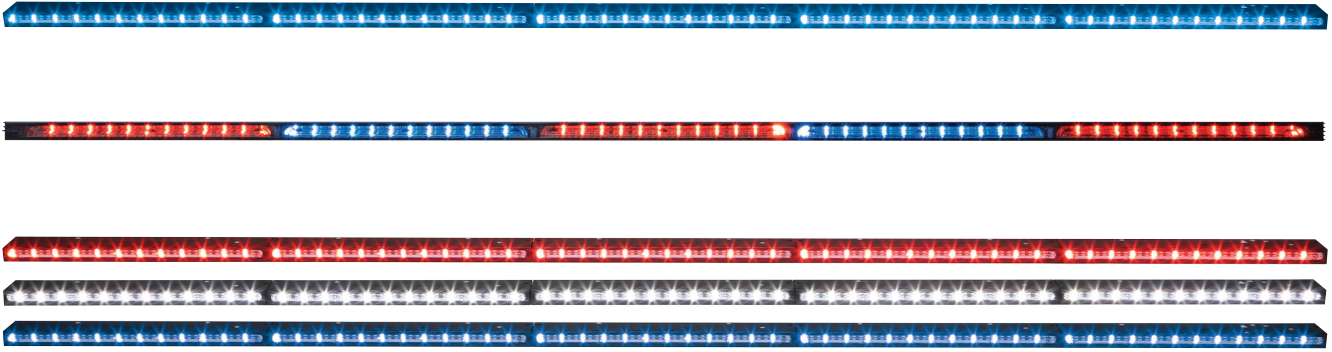
DIMENSIONS



"L" Size Chart

111.76cm	127.76cm
----------	----------

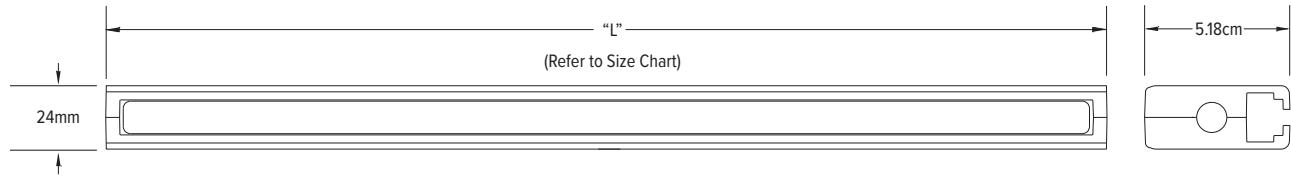
Tracer™ WeCanX®



FEATURES

- Mounts easily via slide bolt with vehicle-specific brackets, universal “L” brackets, or under lightbar brackets
- Vehicle-to-Vehicle synchronization
- Whelen Command® programming allows:
 - Full configurability of Traffic Advisor™ functionality
 - Adjustable intensity levels of cruise light control
- Dynamic Variable Intensity™ (DVI™) light patterns
- Hard-coated lenses resist environmental damage from sand, sun, salt, and road chemicals

DIMENSIONS



“L” Size Chart

35.05cm 1-lamp	66.45cm 2-lamp	97.87cm 3-lamp	129.29cm 4-lamp	160.68cm 5-lamp	192.07cm 6-lamp
-------------------	-------------------	-------------------	--------------------	--------------------	--------------------



T-Series™ on page 23

MINI LIGHTBARS



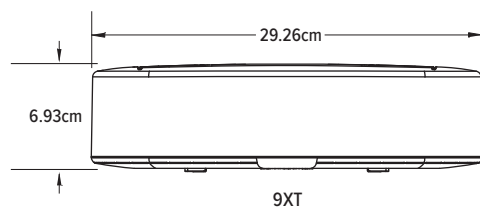
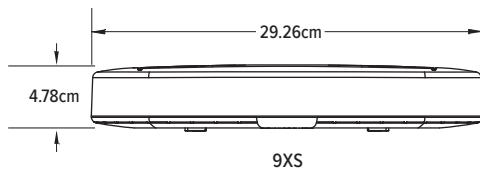
Mini Edge® 9X Series



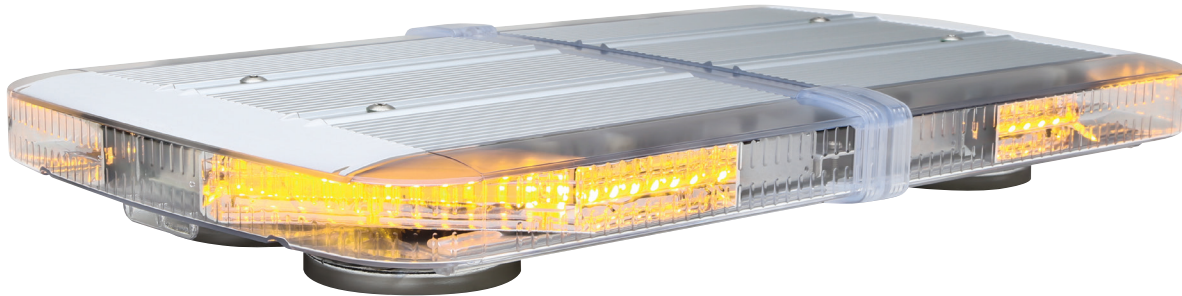
FEATURES

- Advanced thermal design reduces stress on LEDs during extended operation
- Molded polycarbonate Black tops provide protection from the elements
- Available in 2 profiles:
 - Short: 4.78cm H
 - Tall: 6.93cm H
- DUO™ Linear12™ LED, DUO Linear6™ LED Warning, and Scene Take-Down/Alley
- Photocell included
- Hard-coated lenses resist environmental damage from sand, sun, salt, and road chemicals
- Consult WeCad™ for available options

DIMENSIONS



Mini Legacy[®] Series



FEATURES

- Advanced thermal design reduces stress on LEDs during extended operation
- Aluminum top repels hail and other environmental damages
- Extruded aluminum platform
- Center dividers with liquid injection molded seals protect internal components from water infiltration
- One piece uni-dome construction with a single sealing point assures lightbar integrity in all weather conditions
- Proclera[®] Silicone Optics (available in Take-Down lights)
- Hard-coated lenses resist environmental damage from sand, sun, salt, and road chemicals
- Clear or Smoked domes available
- Permanent mount features a low-profile mounting kit
- Magnetic mount includes 40.8kg pull magnets
- Magnetic mount supplied with 3m cord and cigar plug built-in On/Off switch and Scan-Lock[™] flash pattern control switch
- Consult WeCad[™] for available options

OPTIONS



Alley Light

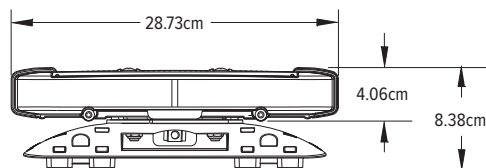
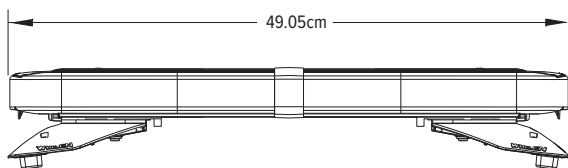


3-LED Take-Down



6-LED Take-Down

DIMENSIONS



Mini Liberty™ II Series



FEATURES

- Advanced thermal design improves LED performance during extended operation
- Aluminum top repels hail and other environmental damages
- Extruded aluminum platform
- Center dividers with liquid injection molded seals protect internal components from water intrusion
- One piece uni-dome construction with a single sealing point assures lightbar integrity in all weather conditions
- Proclera® Silicone Optics (available in Take-Down lights)
- Hard-coated lenses resist environmental damage from sand, sun, salt, and road chemicals
- Clear, Smoked, or Color domes available
- Permanent mount features a low-profile mounting kit
- Magnetic mount supplied with 40.8kg pull magnets
- Magnetic mount supplied with 3m cord and cigar plug built-in On/Off switch and Scan-Lock™ flash control pattern switch
- Consult WeCad™ for available options

OPTIONS



Long Lighthouse



12-LED Take-Down



Short Lighthouse



6-LED Take-Down



3-LED Take-Down

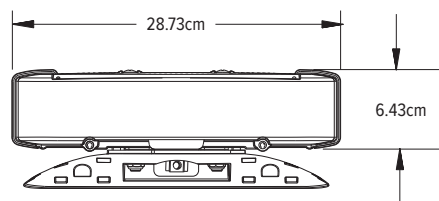
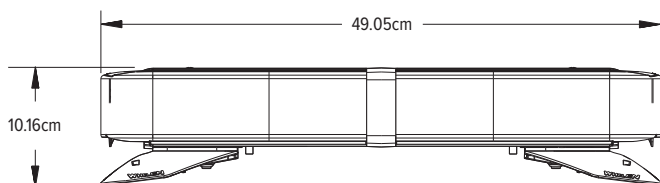


Alley Light

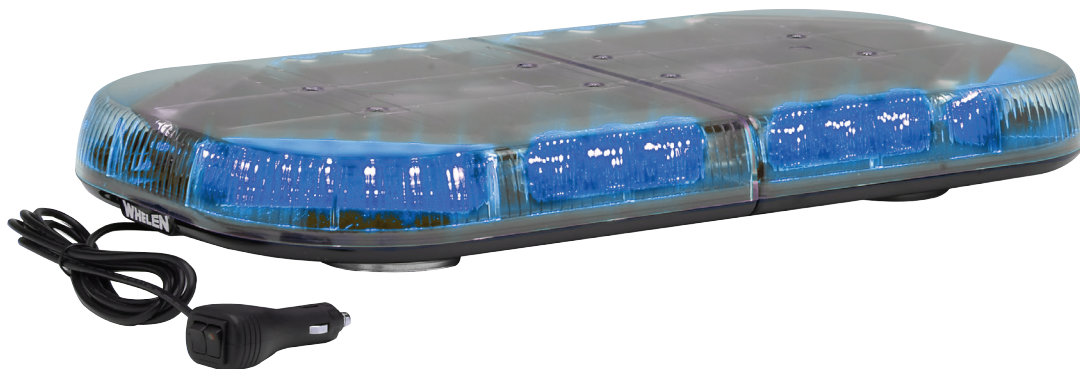


Filter

DIMENSIONS



Mini Justice® Series



FEATURES

- Advanced thermal design reduces stress on LEDs during extended operation
- Extruded aluminum platform and polycarbonate base
- Hard-coated domes resist environmental damage from sand, sun, salt, and road chemicals
- Easily upgraded or serviced in the field
- Clear, Smoked, or Color domes available
- Magnetic and magnetic/suction mount supplied with 3m cord and cigar plug with built-in On/Off switch and Scan-Lock™ flash pattern control switch
- Consult WeCad™ for available options

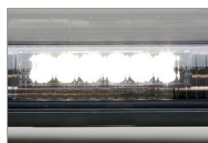
OPTIONS



CON3™ Module with Spreader Optics



Full LIN6™



Work Light

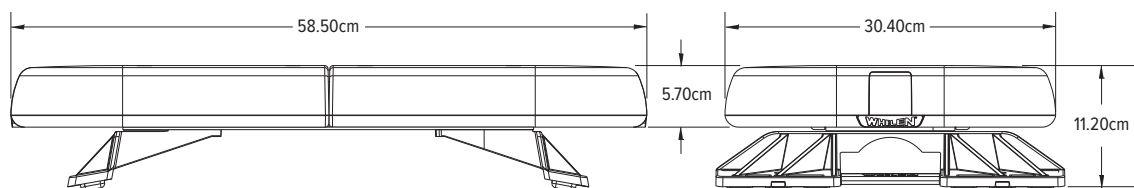


Take-Down



Alley Light

DIMENSIONS



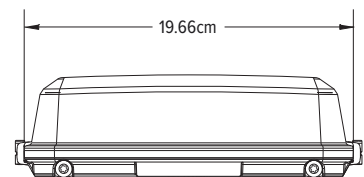
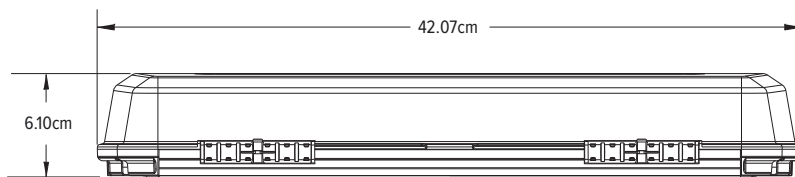
Mini Century™ Series



FEATURES

- Hard-coated domes resist environmental damage from sand, sun, salt, and road chemicals
- Extruded aluminum base
- Low profile with compression fit gasket for superior moisture resistance
- Clip-Lock™ system allows easy access to lightbar for service or upgrade
- Magnetic mount includes 40.8kg pull magnets
- Magnetic and magnetic/suction mounts supplied with 3m cord and cigar plug with built-in On/Off switch and Scan-Lock™ flash pattern control switch
- Consult WeCad™ for available options

DIMENSIONS



LIGHTHEADS

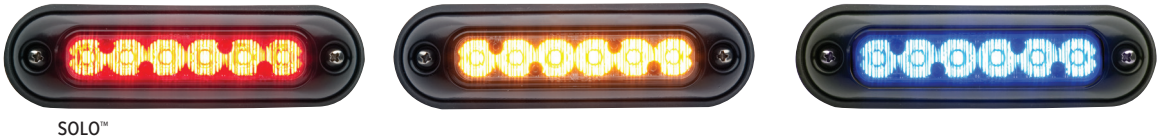


ION® Series

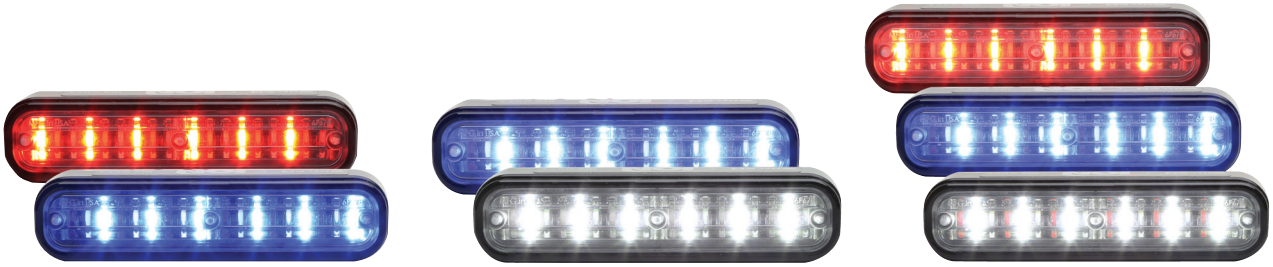
SOLO: 10YR 12 24 R10 HARD COAT SYNC SCAN LOCK™ STEADY LOCK™ R65 CLASS 1 R65 CLASS 2

DUO: 10YR 12 R10 HARD COAT SYNC SCAN LOCK™ STEADY LOCK™ R65 CLASS 1 R65 CLASS 1

TRIO: 10YR 12 R10 HARD COAT SYNC SCAN LOCK™ STEADY LOCK™



SOLO™



DUO™

TRIO™

FEATURES

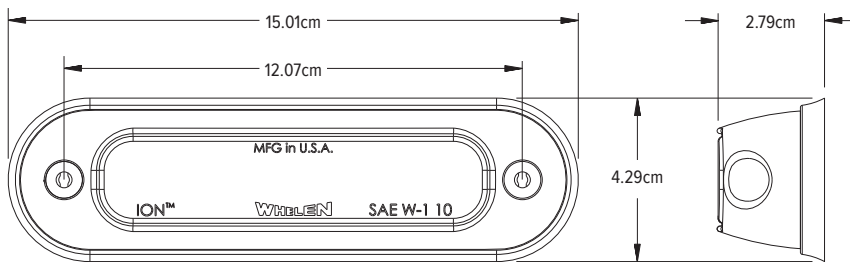
- Universal or surface mounts available
- Universal mount includes Black or White bail/swivel bracket, rubber grommet, and Black or White pedestal mount
- Surface mount includes Black (default), White, or Chrome flange
- Up to 69 Scan-Lock flash patterns, including steady burn

OPTION

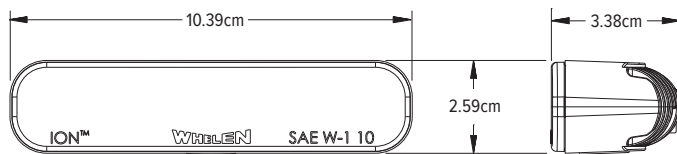


IONSFB

DIMENSIONS



ION Surface Mount



ION Universal Mount

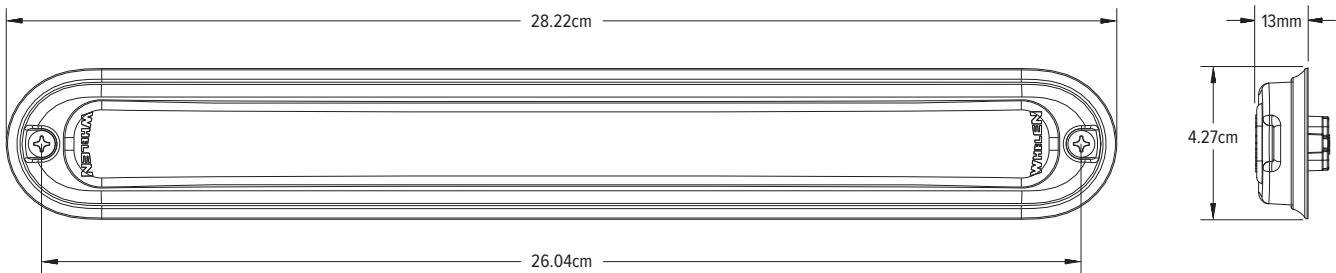
Mega T-Series™



FEATURES

- Linear Super-LED® optics
- 73 Scan-Lock™ flash patterns, including steady burn
- Hard-coated lenses resist environmental damage from sand, sun, salt, and road chemicals
- Smoked lenses available
- Easily mounts to surface via 2 screws
- Black flange included
- E Block™ technology prevents air and moisture from entering lighthouse

DIMENSIONS



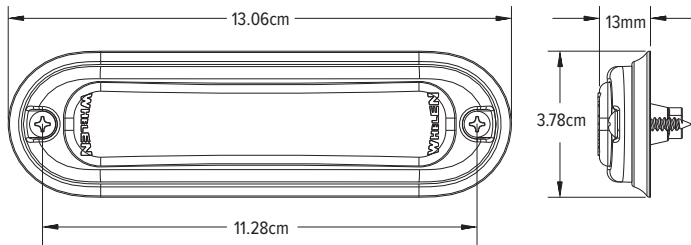
T-Series™



FEATURES

- Linear Super-LED® optics
- SOLO™ models available in single- or split-colors
- Hard-coated lenses resist environmental damage from sand, sun, salt, and road chemicals
- Smoked lenses available
- Easily mounts to surface via 2 screws
- Black flange included
- Up to 33 Scan-Lock™ flash patterns, including steady burn (ECE models may differ)

DIMENSIONS



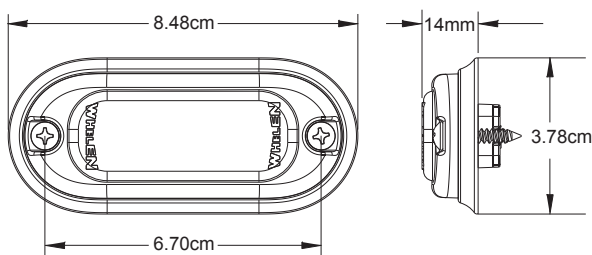
Mini T-Series



FEATURES

- Linear Super-LED® optics
- Hard-coated lenses resist environmental damage from sand, sun, salt, and road chemicals
- Easily mounts to surface via 2 screws
- Smoked lenses available
- Black flange included
- Meets Class 2 Certification in Red and Blue when sold in pairs
- SOLO/Split/DUO: 33 Scan-Lock flash patterns, including steady burn (ECE models may differ)
- TRIO: 32 Scan-Lock flash patterns, including steady burn

DIMENSIONS



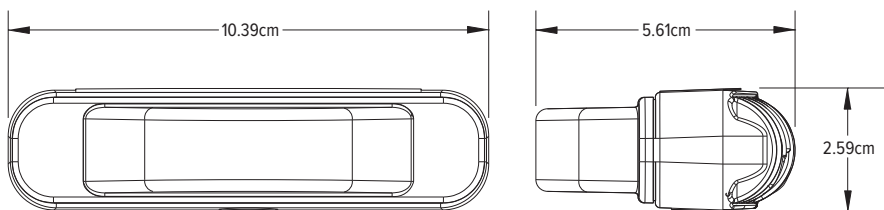
ION® V-Series™



FEATURES

- 3-in-1 combination warning, spotlight, and ground illumination light or single-color warning models available
- Single-color models have combination 180° and TIR™ directional warning
- Black, White, or Chrome housing
- Hard-coated lenses resist environmental damage from sand, sun, salt, and road chemicals
- Smoked lenses available

DIMENSIONS



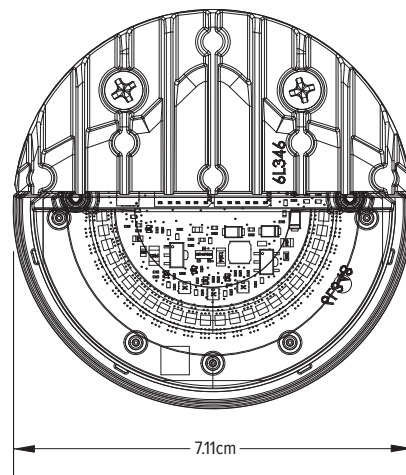
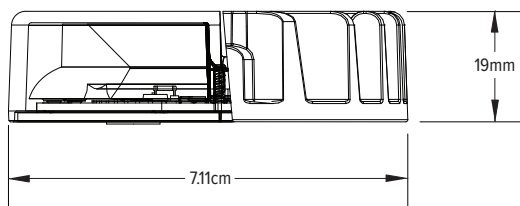
U-Series™



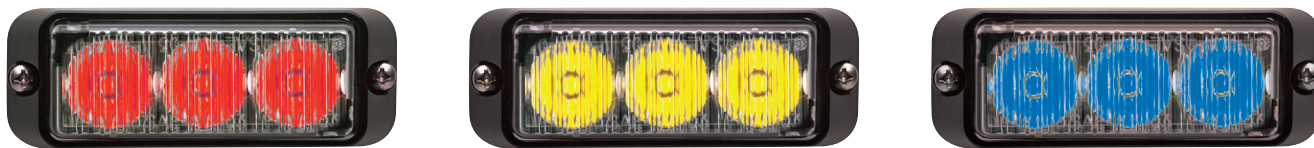
FEATURES

- Innovative U-shaped optics create 180° light output
- DUO™ or TRIO™ models available
- Universal or under-mirror mounting options available
- Conformal coated electronics for moisture and vibration resistance
- Hard-coated lenses resist environmental damage from sand, sun, salt, and road chemicals
- Smoked lenses available
- Synchronizes with other Whelen products
- 35 Scan-Lock™ flash patterns, including steady burn

DIMENSIONS



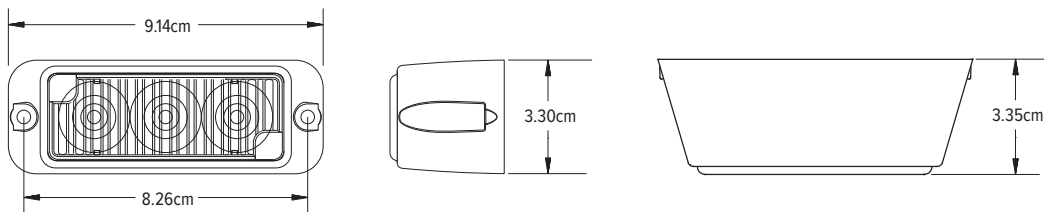
TIR3™ Series



FEATURES

- Black flange included
- Fully encapsulated for moisture, vibration, and corrosion resistance
- Hard-coated lenses resist environmental damage from sand, sun, salt, and road chemicals
- 25 Scan-Lock™ flash patterns, including steady burn

DIMENSIONS



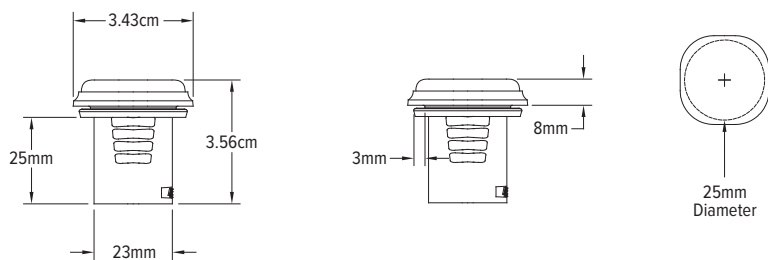
VXE™ Series



FEATURES

- DUO™ and TRIO™ functionality
 - DUO: 8 LEDs
 - TRIO: 12 LEDs
- Directional light output
- Steady only (external flasher required)
- Low profile/compact design
- 25mm mounting grommet
- Smoked lenses available

DIMENSIONS



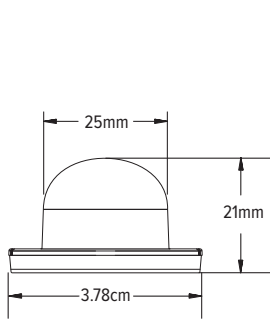
Vertex™ Series



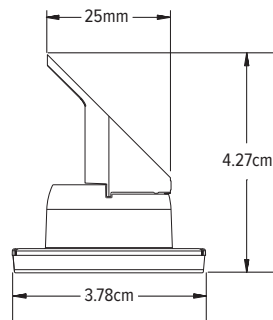
FEATURES

- Self-contained light with in-line lamp driver
- Available as an omni-directional, side emitter, or directional lighthead
- Designed to mount in composite style headlight or taillight, or surface mount to exterior surfaces with flange
- Fully encapsulated for moisture, vibration, and corrosion resistance
- Hard-coated lenses resist environmental damage from sand, sun, salt, and road chemicals
- Clear outer lens, color LEDs
- Smoked lenses available
- 25 Scan-Lock™ flash patterns, including steady burn

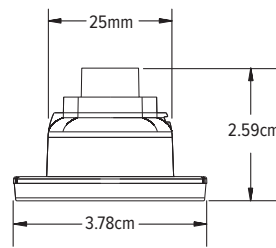
DIMENSIONS



Vertex Omni-Directional
6-LED



Vertex Side Emitter
6-LED



Vertex 360° Side Emitter
6-LED

M Series®

M2:	R10	10YR	12	24	SYNC	SCAN LOCK™	HARD COAT	R65 CLASS 2	R65 CLASS 1	SOLO™	DUO™	
M4:	R10	10YR	12	24	SYNC	SCAN LOCK™	HARD COAT	R65 CLASS 2	R65 CLASS 2	R65 CLASS 2	SOLO™	DUO™
M6:	R10	10YR	12	24	SYNC	SCAN LOCK™	HARD COAT	R65 CLASS 2	R65 CLASS 2	SOLO™	DUO™	
M7:	R10	10YR	12	24	SYNC	SCAN LOCK™	HARD COAT	R65 CLASS 2	R65 CLASS 2	R65 CLASS 2	SOLO™	DUO™
M9:	R10	10YR	12	24	SYNC	SCAN LOCK™	HARD COAT					

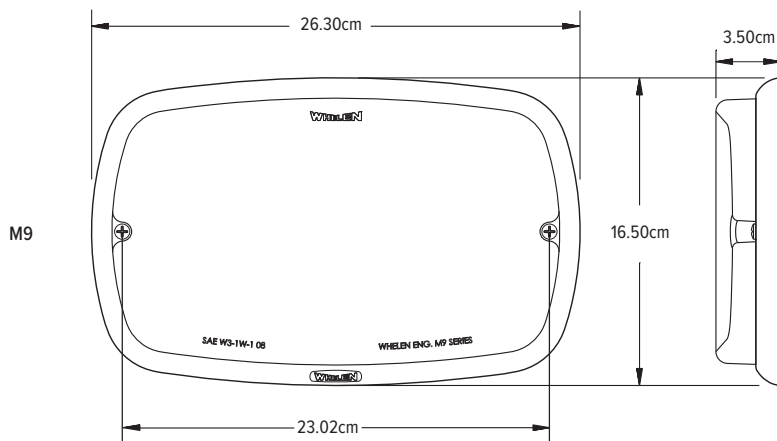
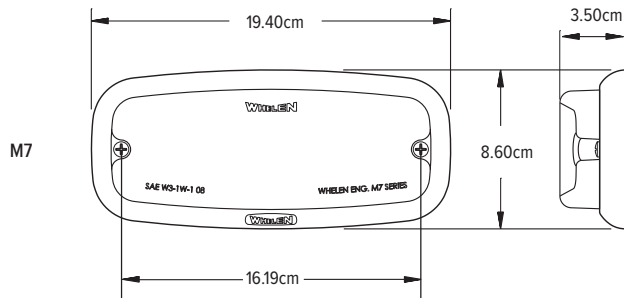
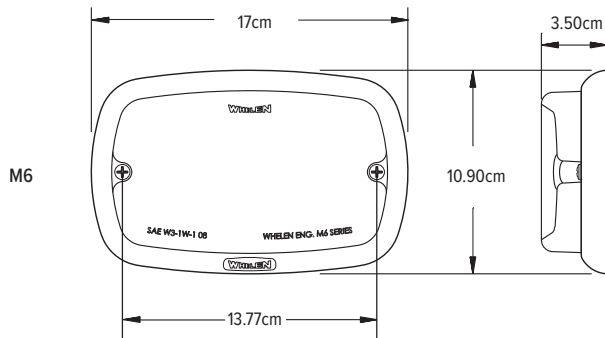
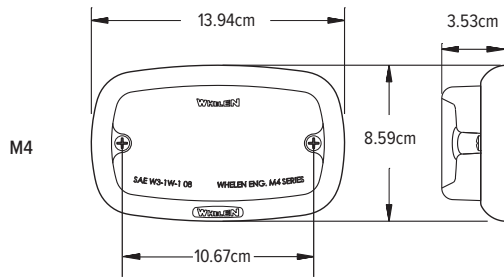
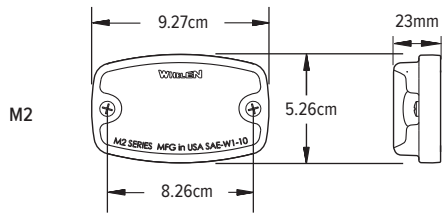


FEATURES

- SOLO™, split-color, or DUO™ models available
- Clear or Color lenses available
- Available in steady burn or with an internal flasher
- Hard-coated lenses resist environmental damage from sand, sun, salt, and road chemicals
- Easily mounts to surface via 2 screws
- Variety of mounting brackets, and optional Chrome or Black flange available
- Up to 189 Scan-Lock™ flash patterns, including steady burn

M Series®

DIMENSIONS



BEACONS



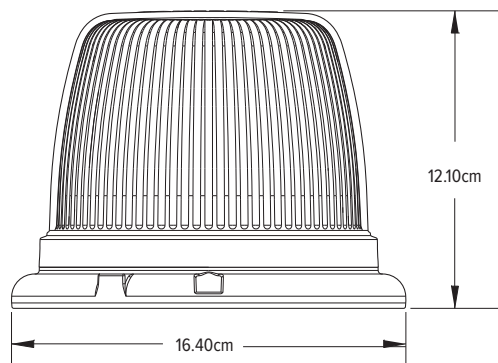
L41 Series



FEATURES

- Super-LED® beacon
- Powder-coated die-cast base
- Fully encapsulated for moisture, vibration, and corrosion resistance
- Full reverse polarity protection
- Smooth polycarbonate outer dome with hard-coated outer lenses for fade resistance and clarity
- Virtually no RFI/EM1 radiation
- Permanent, magnetic, and magnetic/suction mount models available
- 25 Scan-Lock™ flash patterns, including steady burn

DIMENSIONS



L41 Series

L31 and L32 Series

L31: 5YR 12 24 TITLE 13 R10 SYNC SCAN LOCK™ R65 CLASS 2

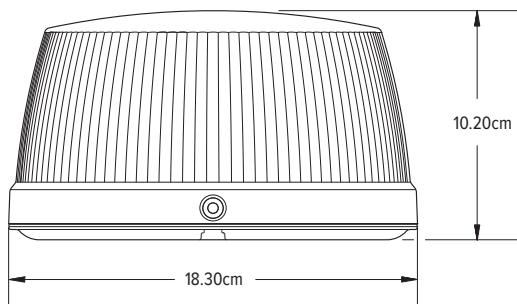
L32: 5YR 12 24 R10 SYNC SCAN LOCK™ R65 CLASS 1



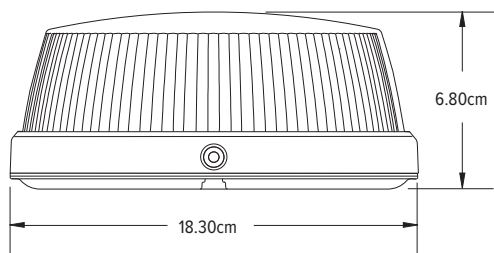
FEATURES

- Super-LED® Linear reflectors and optics
- Powder-coated die-cast base
- Conformal coated electronics for moisture and vibration resistance
- Full reverse polarity protected
- Smooth polycarbonate outer dome with hard-coated outer lenses for fade resistance and clarity
- Virtually no RFI/EM1 radiation
- 69 Scan-Lock™ flash patterns, including steady burn

DIMENSIONS



L31 High Dome



L32 Low Dome

R316 and R416 Series

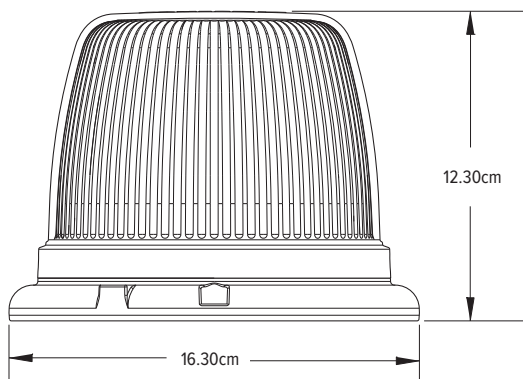
- R316: 5YR 12 24 R10 SYNC SCAN LOCK™
- R416: 5YR 12 24 R10 SYNC SCAN LOCK™ R65 CLASS 2



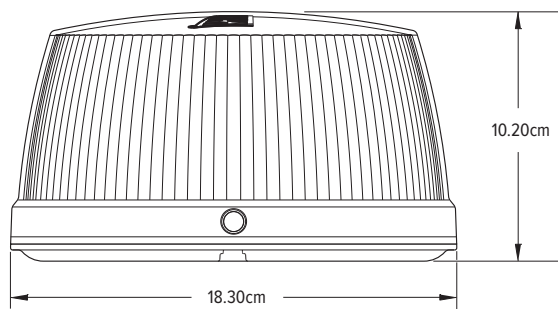
FEATURES

- 32 Scan-Lock™ rotating patterns with varying rotating flash rates
- Powder-coated die-cast base
- 100% solid-state electronics
- Permanent, magnetic, or magnetic/suction mount models available

DIMENSIONS



R416 Series



R316 Series

Beacon Mounting Options



Permanent Mount



Magnetic Mount*



Magnetic/Suction Mount*



Triple Mount



Pole Mount
(Pole Not Included)



Motorcycle Pole Mount
(Pole Not Included)

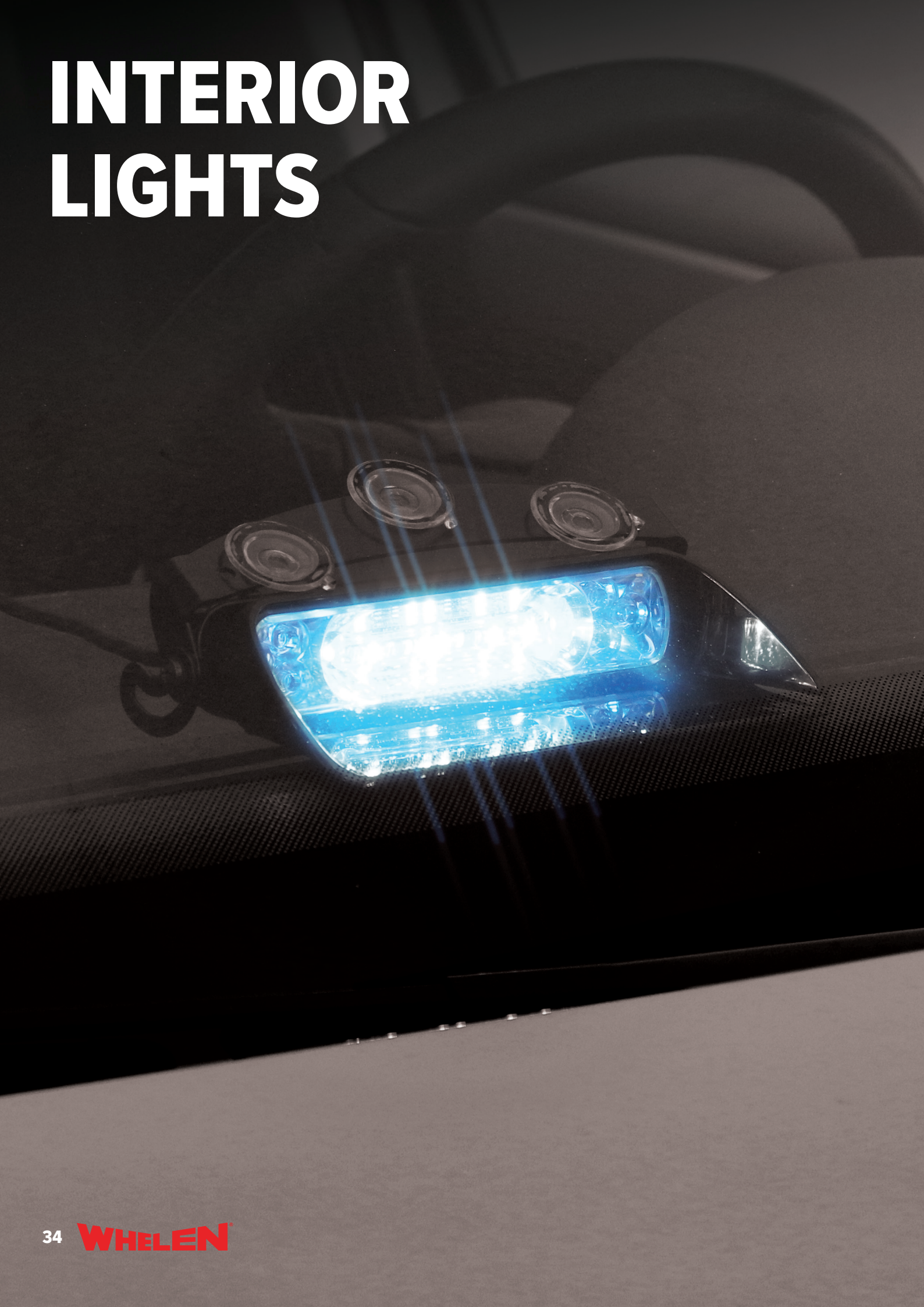
MOUNTING OPTIONS

	Perm Mount	Mag Mount*	Suction Mount*	Triple Mount	Pole Mount	Motorcycle Mount
L31 Series	●	●	●			
L32 Series	●	●	●			
L41 Series	●	●	●	●	●	●
R316 Series	●	●	●			
R416 Series	●	●	●	●		

* The use of a magnetic or suction mounted beacon on the roof of a vehicle in motion is not recommended, and is at the sole discretion and risk of the user.



INTERIOR LIGHTS



Avenger® II Series

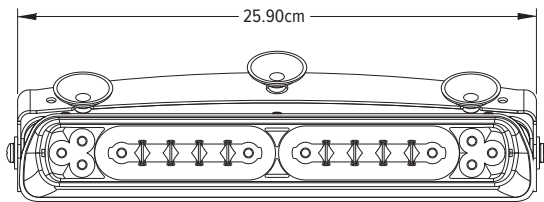
5YR  12V R10  ISOLO DUO TRIO™



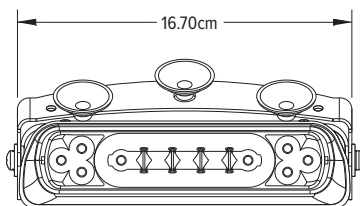
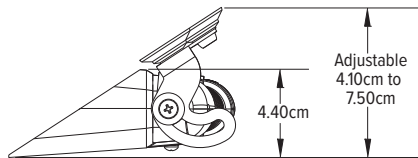
FEATURES

- Combination Linear/TIR[®] optics
- Solid-state electronics
- Conformal coated electronics for moisture and vibration resistance
- Supplied with 3m cord and cigar plug with built-in On/Off switch and Scan-Lock[™] flash pattern control switch
- 26 Scan-Lock flash patterns in single-lamp version and 55 in dual-lamp version

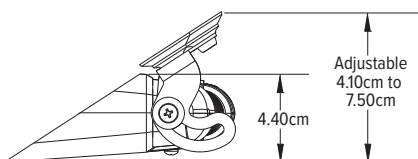
DIMENSIONS



Avenger II Dual Series



Avenger II Single Series



SpitFire® Series



FEATURES

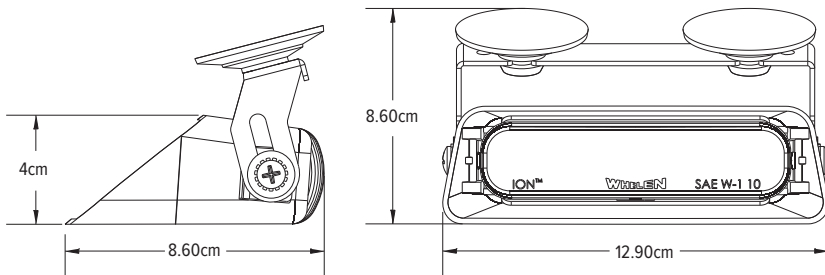
- Single- or split-color models available
- Single-color models have 33 Scan-Lock™ flash patterns
- Split-color models have 69 Scan-Lock flash patterns
- Molded polycarbonate housing with integral hood includes universal bail bracket and 2 suction cups for mounting
- Supplied with a 3m cord and cigar plug with built-in On/Off switch with LED “On” indicator and Scan-Lock pattern control switch

OPTION



IONSFB

DIMENSIONS





POLICE

TRAFFIC ADVISOR™



Traffic Advisor™ Super-LED®



TAC8 Super-LED Traffic Advisor
• Control Head Included



Dominator™ TIR3™ Super-LED Traffic Advisor
• Internal Flasher
• Customer Supplied Switching
• Optional Control Head



TIR3 Super-LED Traffic Advisor
• Control Head Included

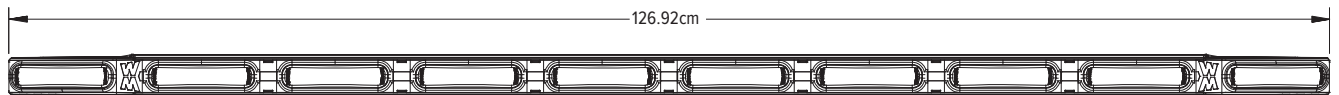


WeCanX® 2250 Super-LED Traffic Advisor
• Control Head Included

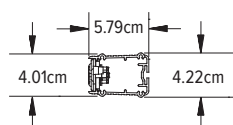
FEATURES

- Interior or exterior applications
- Extruded aluminum housing
- Fully encapsulated for moisture, vibration, and corrosion resistance
- Hard-coated lenses resist environmental damage from sand, sun, salt, and road chemicals
- Left arrow, right arrow, split arrow, and warning functions
- Refer to page 5 for details on WeCanX 2250 Super-LED

DIMENSIONS

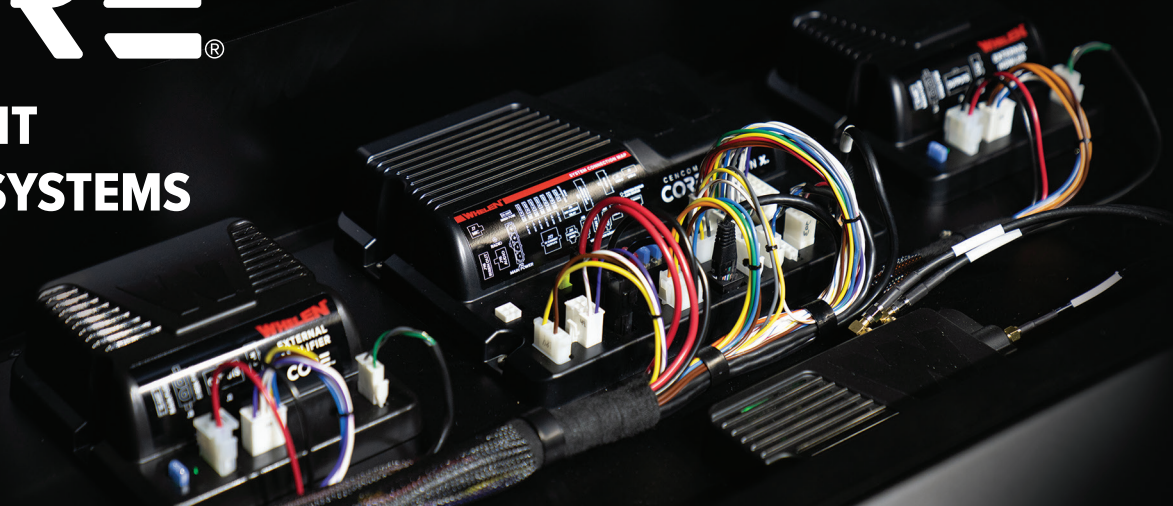


WeCanX Super-LED Traffic Advisor



CENCOM CORE[®]

INTELLIGENT CONTROL SYSTEMS



Efficiency meets precision with our Intelligent Control Systems.

Seamlessly manage your fleet's warning lights and sirens with our advanced technology to ensure swift response times and enhanced safety on the road.

FEATURES

Digital Voice Messages (DVM)

- Configure consistent messaging across your fleet.

Dynamic Variable Intensity™ (DVI™)

- Gradually increase and decrease warning light intensity.

Vehicle-To-Vehicle (V2V) Sync

- Automatically synchronize lights and tones on vehicles within any proximity to aid approaching motorists.

SEAMLESS INTEGRATION

WeCanX[®]

- Synchronize your entire system with greater speed, peripheral add-ons, and full diagnostic support.

Whelen Cloud Platform[®]

- Send and receive data using cellular networks to manage your fleet with our cloud-based vehicle platform.

Whelen Command[®]

- Process hundreds of virtual inputs and receive updates and new releases on your products.

CenCom Core[®]



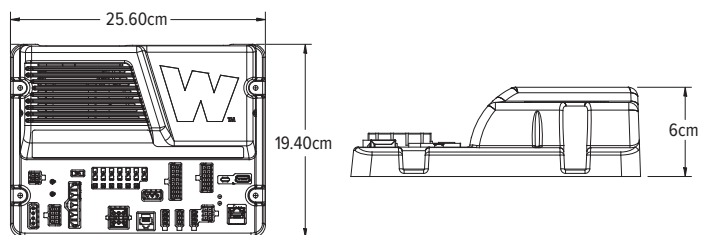
Created to enhance first responder safety, CenCom Core redefined control systems by providing the greatest configurability, speed, and expansion yet. Built to scale with your needs, Core[®] is highly configurable and offers advanced automation, remote connectivity, and true system synchronization.

FEATURES

- Supports any combination of up to 99 WeCanX devices
- Remote firmware updates through USB-C with Whelen Command or over-the-air with Whelen Cloud Platform[®]
- 17 total inputs
- 23 total outputs



C399



Core-S®



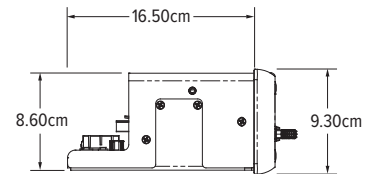
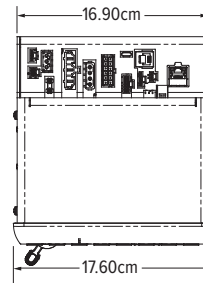
The newest addition to Whelen's industry-leading Core® family of control systems, Core-S is a true one-box solution. Its space-saving design allows for installation in tight spaces like in a console or under a dash. And installation has never been easier with connector placement specifically designed for hard-to-reach areas. Core-S features a siren, input/output, and control functionality in one compact box along with an integrated control head.



C399S6H

FEATURES

- Remote firmware updates through USB-C with Whelen Command® or over-the-air with Whelen Cloud Platform®
- 11 total inputs
- 16 total outputs



Core-R®



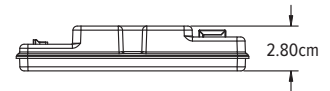
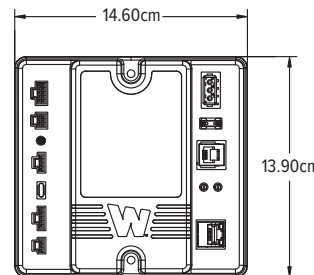
Core-R is a vehicle control system engineered to enhance first responder and motorist safety with complete configurability, advanced automation, and remote connectivity.

FEATURES

- Supports any combination of up to 99 WeCanX® devices
- Remote firmware updates through USB-C with Whelen Command or over-the-air with Whelen Cloud Platform
- 8 total inputs



C399R



Core-C®



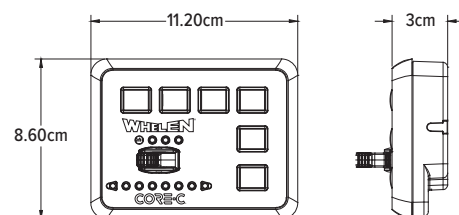
Core-C is a sophisticated warning light system for vehicles with limited space. Delivering enhanced WeCanX safety features with plug-and-play ease of installation, it combines the intelligence of a WeCanX controller with the functionality of a control head in one compact package.



CCP9

FEATURES

- Supports primary WeCanX devices
- Supports one Remote Expansion Module
- Remote firmware updates through USB-C with Whelen Command
- 1 ignition power-up input
- 1 output



WeCanX[®] CONTROL HEADS

Ergonomically designed for situational awareness, WeCanX control heads are completely configurable. Models support flashing indicator LEDs and can also run system diagnostics. The passthrough WeCanX connection on the back of the control heads contributes to less wiring and an easier install.



CCTL5

- Handheld 5-position
- 9 push-buttons



CCTL6

- 4-position slide switch
- 13 push-buttons
- 7-position rotary knob
- 3 Traffic Advisor[™] switches
- Microphone with extension cable



CCTL7

- 4-position slide switch
- 21 push-buttons
- Microphone with extension cable



CCTL8

- 4-position slide switch
- 6 push-buttons
- Microphone



CCTL9

- 6 push-buttons
- 7-position rotary switch
- Microphone with extension cable



CCTL10

- 22 push-buttons
- Microphone with extension cable



CCTL11

- 13 push-buttons
- Microphone with Extension Cable

CenCom Core® Specs



CENCOM
CORE



CORE-S



CORE-R



CORE-C

Dimensions	19.38cm H x 25.58cm W x 5.97cm D	9.30cm H x 17.60cm W x 16.54cm D	14.63cm H x 13.87cm W x 2.82cm D	8.64cm H x 11.18cm W x 3cm D
Software	Whelen Command®			
Hardware Support	Up to 99 WeCanX® Devices			WeCanX Legacy®, Liberty™ II, and Freedom® IV Lightbars, Inner Edge® FST™, RST™, and XLP Remote 8- or 16-Output Expansion Module V2V Sync Module
Inputs	12 Logic Inputs 4 Analog Inputs 1 Ignition Power-Up Input 17 Total Inputs	6 Digital Inputs 4 Analog Inputs 1 Ignition Power-Up Input 11 Total Inputs	3 Digital 4 Analog 1 Ignition Power-Up Input 8 Total Inputs	1 Ignition Power-Up Input
Outputs	2 15A Outputs 4 10A Outputs 16 2A Outputs 1 Dry Contact Relay 23 Total Outputs Flashing Outputs Every Output Across System Can Be Synchronized	2 15A Outputs 2 10A Outputs 12 2A Outputs 1 Dry Contact Relay 17 Total Outputs Flashing Outputs Every Output Across System Can Be Synchronized	1 Dry Contact Relay	1 5A Output
Connections	1 VSG® Connection 1 WeCanX Connection CANport™ 1 USB-A Host 1 USB-C Supports Up to 99 Remote Modules	1 VSG Connection 1 WeCanX Connection CANport 1 USB-C Supports Up to 99 Remote Modules	1 VSG Connection 1 WeCanX Connection CANport 1 USB-C Supports Up to 99 Remote Modules	1 WeCanX Connection 1 USB-C
Sensors	Battery Voltage Sensor			
DVI™ Patterns and Tones	Gradually Increase or Decrease the Output Intensity within a Flash Pattern or Tone			Gradually Increase or Decrease the Output Intensity within a Flash Pattern
Tone Sync	Sync Amplifiers and Speakers Together, Sync Tones with Lights (Patent-Pending)		Sync Amplifiers and Speakers Together, Sync Tones with Lights (Patent-Pending)	
WeCanX Control Heads	CCTL5, CCTL6, CCTL7, CCTL8, CCTL9, CCTL10, CCTL11	Integrated Control Head Options (CCTL6, CCTL7) Remote Control Head Options (CCTL5, CCTL6, CCTL7, CCTL8, CCTL9, CCTL10, CCTL11)	CCTL5, CCTL6, CCTL7, CCTL8, CCTL9, CCTL10, CCTL11	
Diagnostics	Has Diagnostic Indicator			
Certifications	Meets All Applicable SAE Requirements with Various Whelen Speakers			
Warranty	10-Year Warranty			

SIRENS AND SPEAKERS



HHS3200



HHS3200 System Connection Map



CCTL5



CANCTL6



CANCTL7

FEATURES

- Windows-based programming software for full customization and configuration
- 3 control heads available
- 9 relay outputs (10 amp)

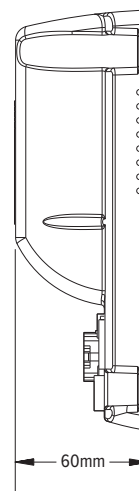
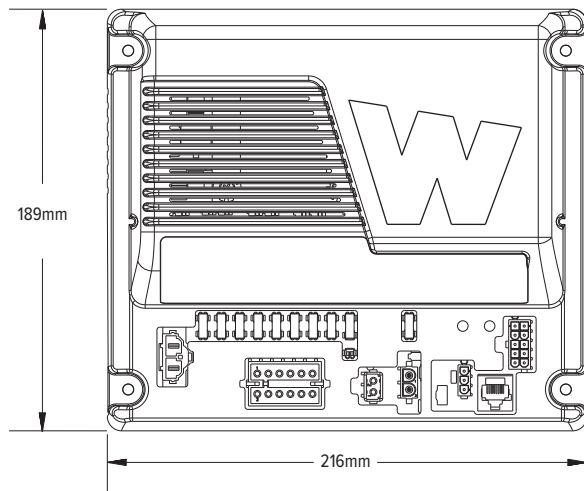
AMPLIFIER MODULE

- Durable Black molded housing
- Wail, Yelp, Piercer, Manual Siren, and Airhorn tones are preset standard
- 65 total tones, including mechanical tones
- 7m interconnect cable included

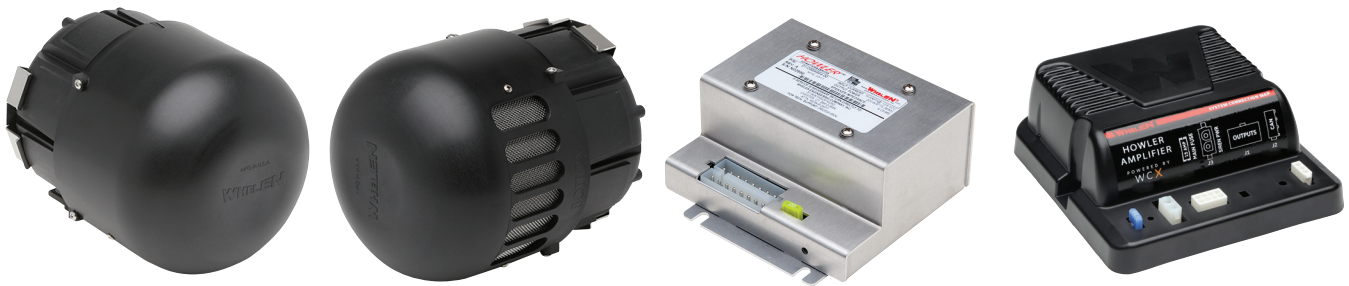
EXTERNAL SPADE-TYPE FUSE 3200

- Compatible with low-current or high-current products, or any light with a built-in flasher

DIMENSIONS



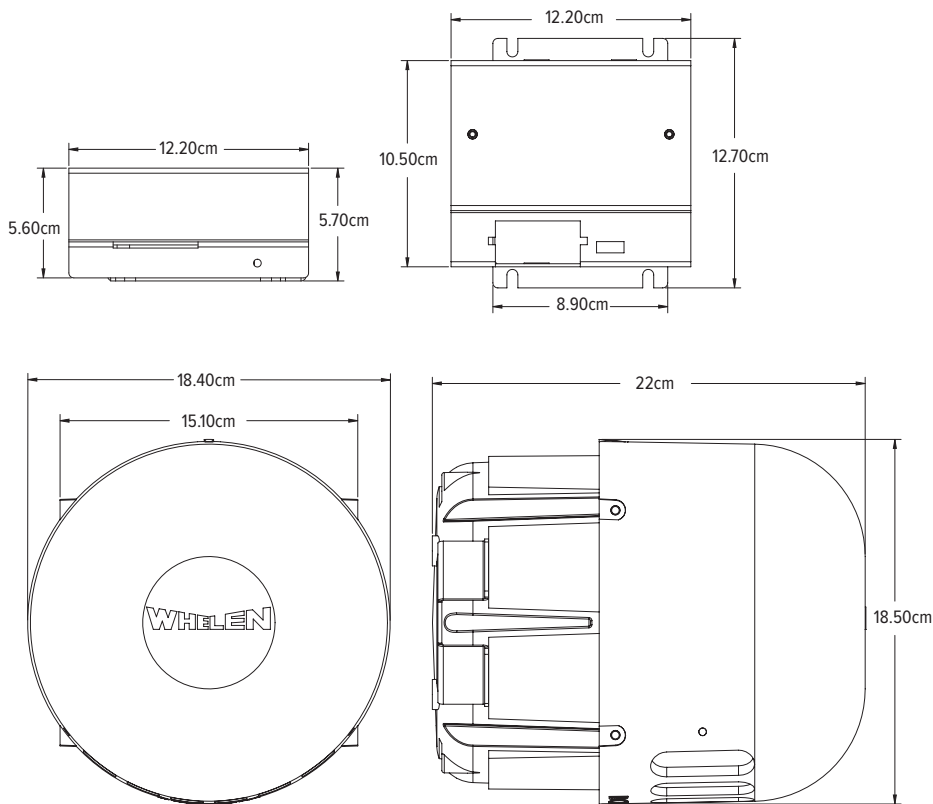
Howler™ Siren System



FEATURES

- Low-frequency siren and speaker system
- Provides deep tones to penetrate other vehicles
- Howler is an add-on to any 100/200-watt siren amplifier and is not a replacement to the vehicle's primary siren
- Uses low frequency tones to synchronize with the vehicle's primary siren tones
- Works with any sweeping, Hi/Low, or electronic mechanical tones generated by the primary siren
- Certain vehicle models may utilize single or dual speaker systems
- WeCanX® models available

DIMENSIONS



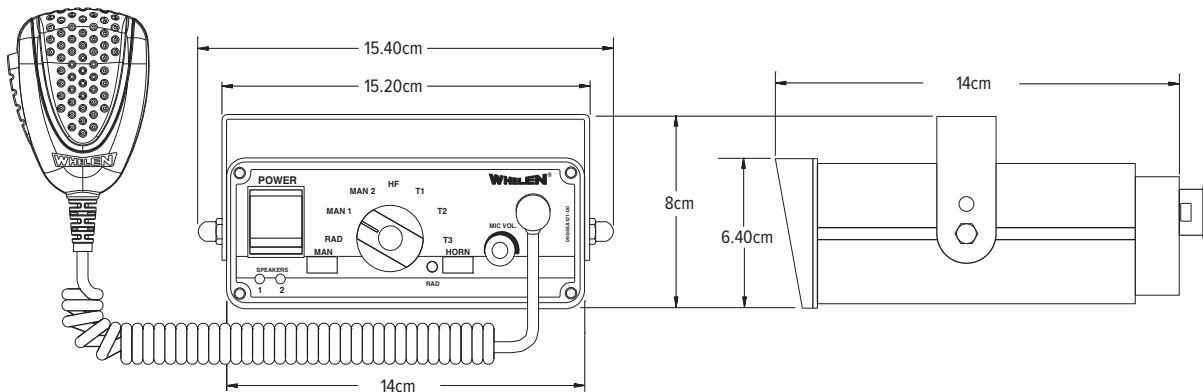
295 Series Electronic Sirens



FEATURES

- Combination On/Off and horn ring transfer switch
- Solid-state over/under voltage shutdown and output short circuit protection
- Input polarity protection
- Models available with SI TEST®, a silent, self-diagnostic indicator of siren or speaker failure
- Recess or bail bracket for under dash mounting
- Adjustable bail bracket allows mounting in a variety of positions

DIMENSIONS



Alpha™ / Euro Siren Amplifier



ALPHA	<input type="checkbox"/>	<input checked="" type="checkbox"/>	<input checked="" type="checkbox"/>	<input type="checkbox"/>	<input checked="" type="checkbox"/>	<input type="checkbox"/>	<input type="checkbox"/>
EURO	<input checked="" type="checkbox"/>	<input checked="" type="checkbox"/>	<input checked="" type="checkbox"/>	<input checked="" type="checkbox"/>	<input type="checkbox"/>	<input checked="" type="checkbox"/>	<input checked="" type="checkbox"/>



ALPHA12S



ALPHA12SL / EURO1

FEATURES

- Compact design is ideal for undercover and volunteer applications
- Control siren tone through horn ring or separate switches
- Hands-free operation
- Harmonically rich composite Airhorn tones
- Output open/short circuit protection
- Easy to install
- Pre-wired with quick disconnect plugs for easy service and fast replacement

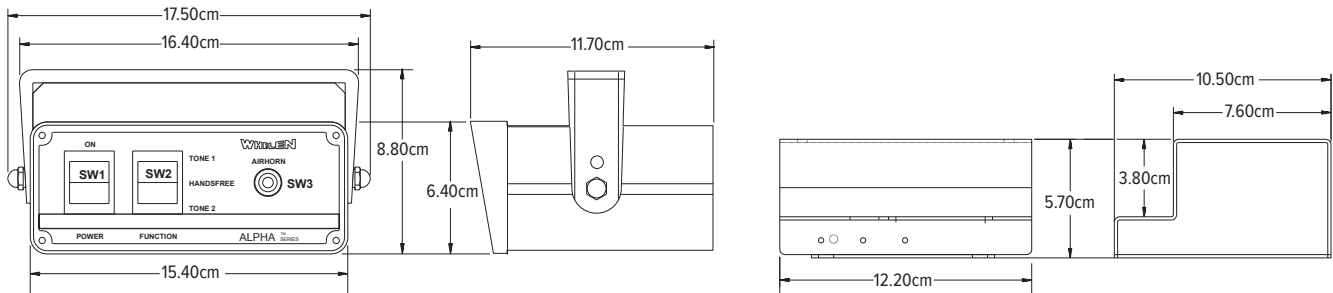
ALPHA12S

- 5 siren tones
- Operates 1 siren speaker (100-watt)
- Dip switch access allows instant configuration of popular operating features
- Compact design is easy to install under the dash, in a console, or in a rack

ALPHA12SL / EURO1

- 18 Scan-Lock™ siren tones
- Operates 1 or 2 siren speakers (100-watt)
- 5 optional switch panels available. Will also operate from customer supplied switching controls

DIMENSIONS



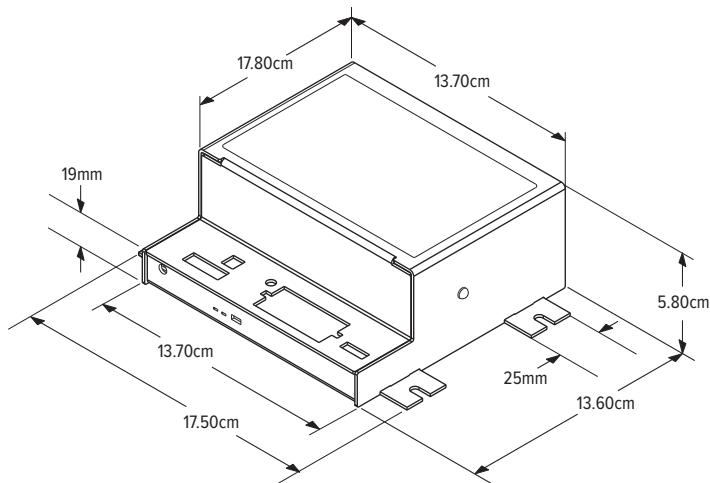
Beta™ Siren Amplifier



FEATURES

- Public address and radio repeat functionality
- PA override in all functions
- 16 siren tones available, including Wail, Yelp, Piercer, High-Low, B-Wail, B-Yelp, B-Hi/Low and AirHorn tones
- Conveniently accessible dip switches on remote amplifier allows instant configuration of 8 modes of operation
- Pre-wired with quick disconnect plug

DIMENSIONS



WSSC30 Speaker



FEATURES

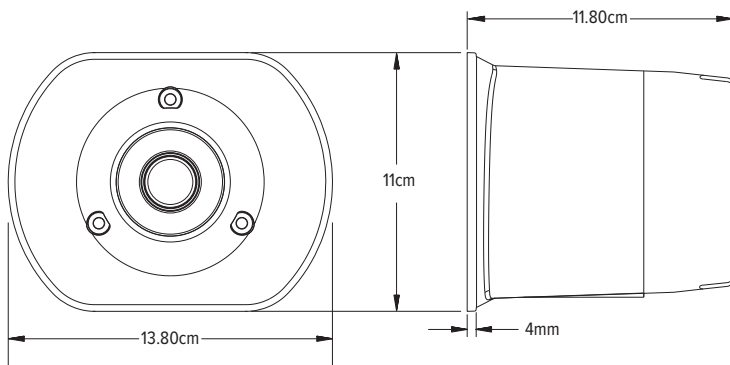
- Combination siren and speaker in a single unit
- 4 modes of operation
- Hands-free operation for Wail and Yelp tones
- Airhorn switch produces airhorn as a main tone and an override tone
- Two-way “L” mounting bracket
- Housing and water-resistant connectors provide vibration and moisture resistance
- Motorcycle switch available

OPTION



Optional Motorcycle Switch

DIMENSIONS



SA315 Projector Series

2YR R10



SA315P

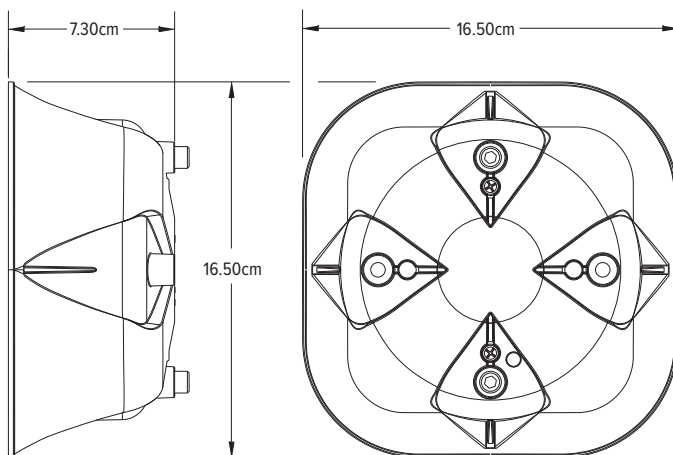


SA315U

FEATURES

- All-weather nylon composite housing with front loaded, powder-coated speaker driver
- Optimum performance assured when used with all Whelen high-power electronic sirens
- Easily installs to the radiator cross member
- Universal mounting bracket

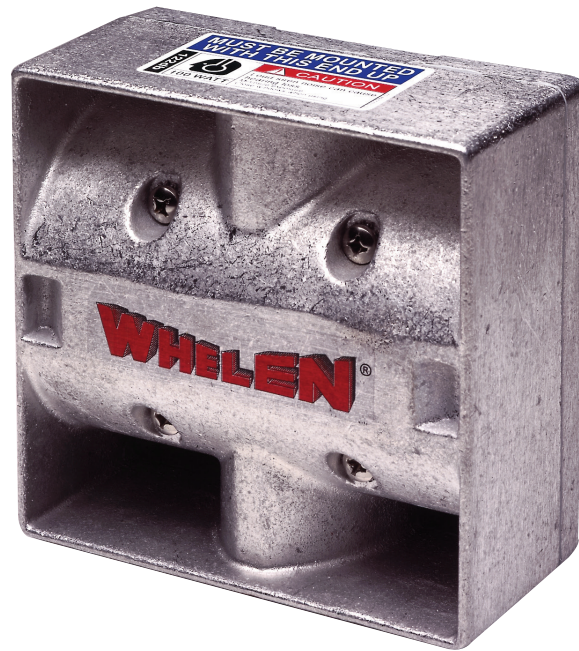
DIMENSIONS



SA315P and SA315U / Rear View

SA314 Projector™ Speaker

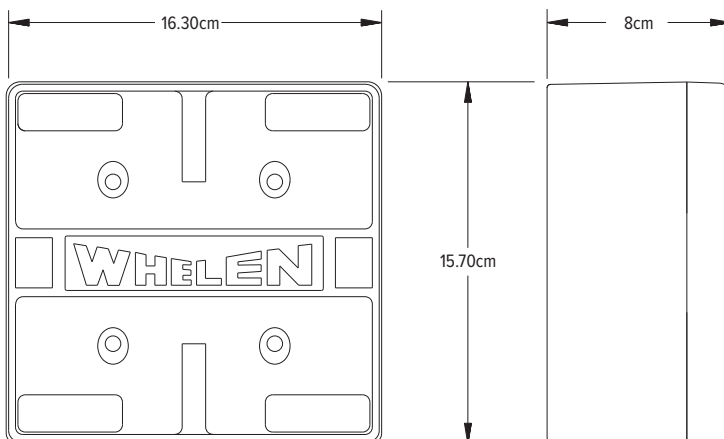
2YR R10



FEATURES

- All weather, non-corrosive cast aluminum housing
- Optimum performance assured when used with all Whelen high-power electronic sirens
- Easily installs to the radiator cross member
- Universal mounting bracket
- Field replaceable driver and diaphragm

DIMENSIONS

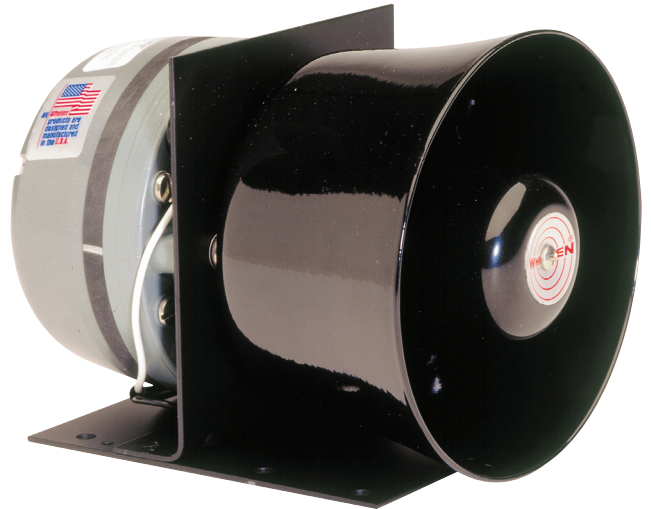


SA340TS/SA340STS Speaker

2YR R10



SA340TS

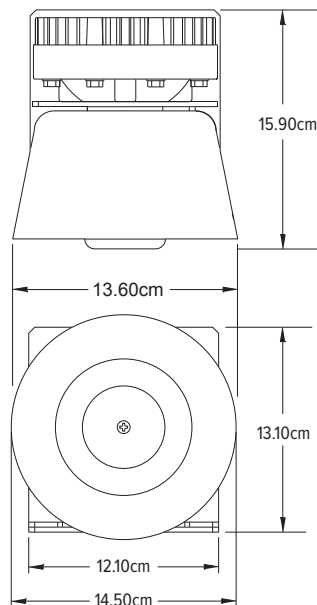
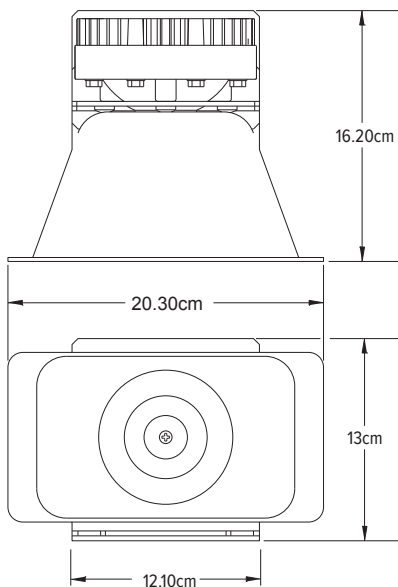


SA340STS

FEATURES

- Optimum performance assured when used with all Whelen high-power electronic sirens
- Multiple flare styles provide a variety of projection angles
- Universal mounting bracket

DIMENSIONS



WHITE ILLUMINATION



M9 EZ Scene Light™



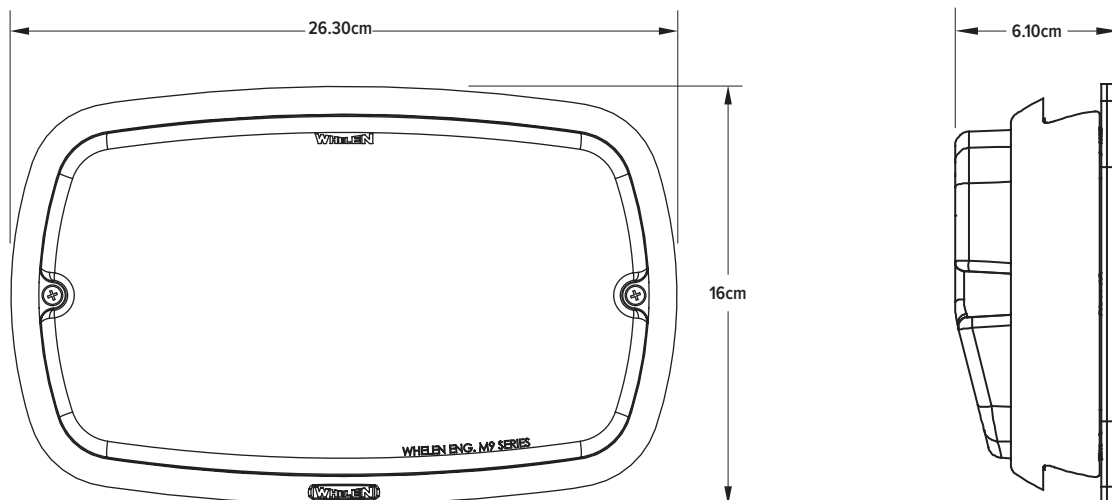
Features available across product family. May not apply to every model.



FEATURES

- Hard-coated lenses resist environmental damage from sand, sun, salt, and road chemicals
- Conformal coated electronics for moisture and vibration resistance
- Gradient Opti-Scenelight™ technology enables efficient use of light
- Selectable turn-on functionality
 - Multiple turn-on styles ranging from instant to gradual (Slow, Medium, Fast, Instant)
 - 3 low-power settings provide situation-specific lighting for a variety of scenarios
- Easily mounts to surface via 2 screws
- 15cm pigtail cable included

DIMENSIONS



M6 EZ Scene Light™



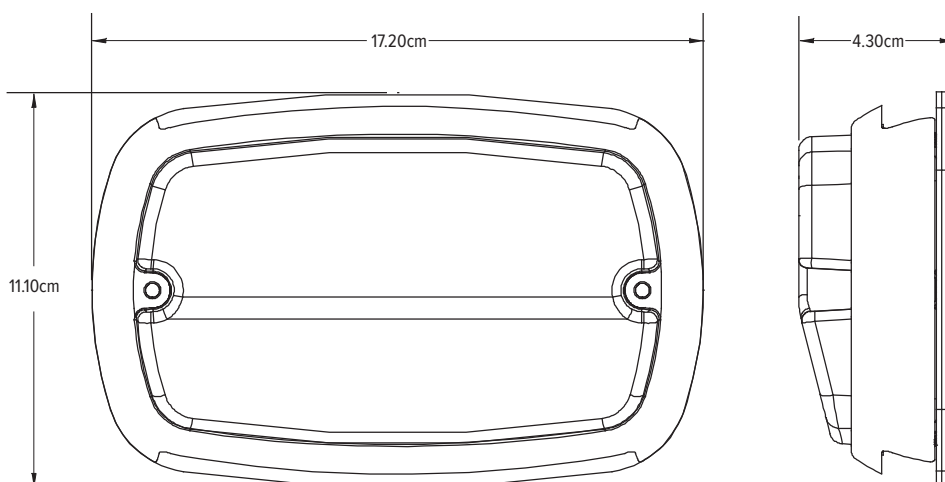
Features available across product family. May not apply to every model.



FEATURES

- Redesigned optic aesthetics, light output, and light pattern optimize light dispersion
- Gradient Opti-Scenelight™ technology enables efficient use of light
- Hard-coated lenses resist environmental damage from sand, sun, salt, and road chemicals
- Selectable turn-on functionality
 - Multiple turn-on styles ranging from instant to gradual (Slow, Medium, Fast, Instant)
 - 3 low-power settings provide situation-specific lighting for a variety of scenarios
- Easily mounts to surface via 2 screws
- 15cm pigtail cable included

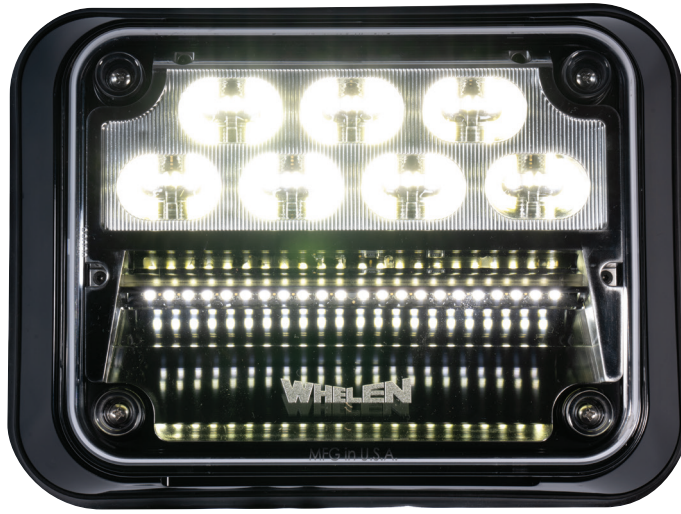
DIMENSIONS



900 EZ Scene Light™



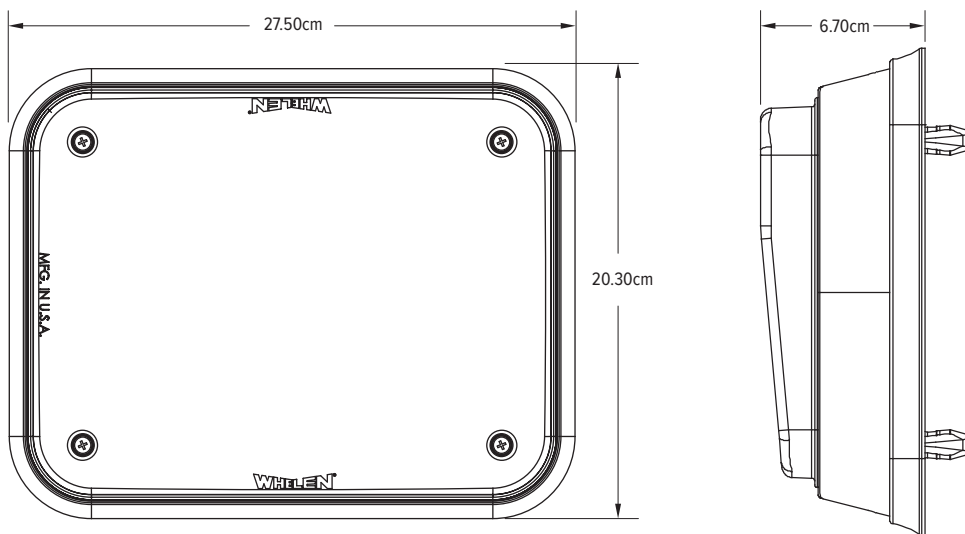
Features available across product family. May not apply to every model.



FEATURES

- Hard-coated lenses resist environmental damage from sand, sun, salt, and road chemicals
- Conformal coated electronics for moisture and vibration resistance
- Gradient Opti-Scenelight™ technology enables efficient use of light
- Selectable turn-on functionality
 - Multiple turn-on styles ranging from instant to gradual (Slow, Medium, Fast, Instant)
 - 3 low-power settings provide situation-specific lighting for a variety of scenarios
- Easily mounts to surface via 4 screws
- 15cm pigtail cable included

DIMENSIONS



600 EZ Scene Light™



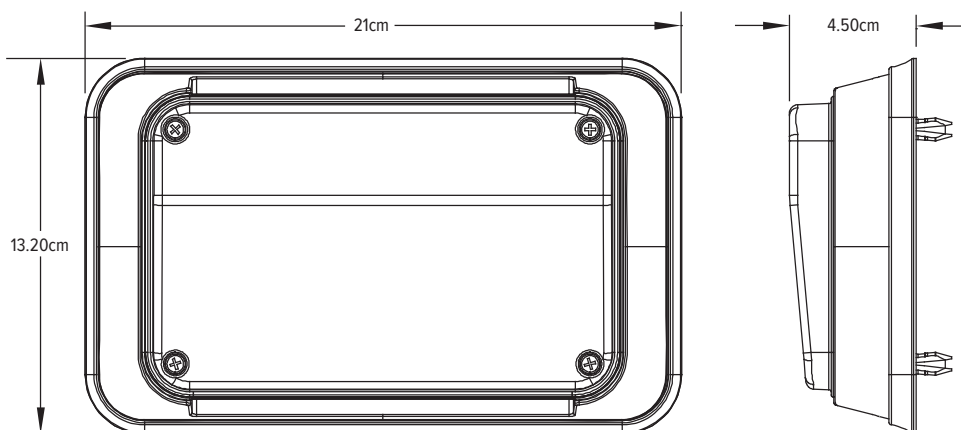
Features available across product family. May not apply to every model.



FEATURES

- Redesigned optic aesthetics, light output, and light pattern optimize light dispersion
- Gradient Opti-Scenelight™ technology enables efficient use of light
- Hard-coated lenses resist environmental damage from sand, sun, salt, and road chemicals
- Selectable turn-on functionality
 - Multiple turn-on styles ranging from instant to gradual (Slow, Medium, Fast, Instant)
 - 3 low-power settings provide situation-specific lighting for a variety of scenarios
- Easily mounts to surface via 4 screws
- 30cm pigtail cable included

DIMENSIONS

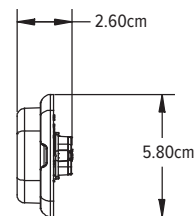
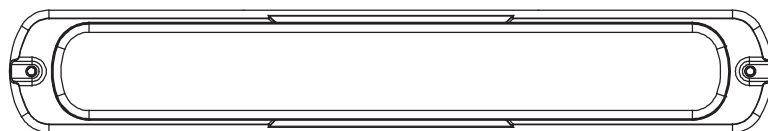
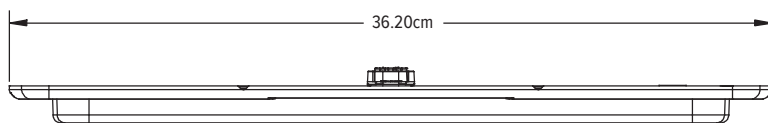




FEATURES

- Light is projected down and out for increased visibility and expanded view of work areas
- Sleek, low-profile, Strip-Lite™ style footprint
- E Block™ technology prevents air and moisture from entering the lighthead
- Hard-coated lenses resist environmental damage from sand, sun, salt, and road chemicals
- Selectable turn-on functionality
 - Multiple turn-on styles ranging from instant to gradual (Slow, Medium, Fast, Instant)
 - 3 low-power settings provide situation-specific lighting for a variety of scenarios
- Low current consumption
- Surface mount
- 46cm pigtail cable included

DIMENSIONS



Arges® Remote Spotlight

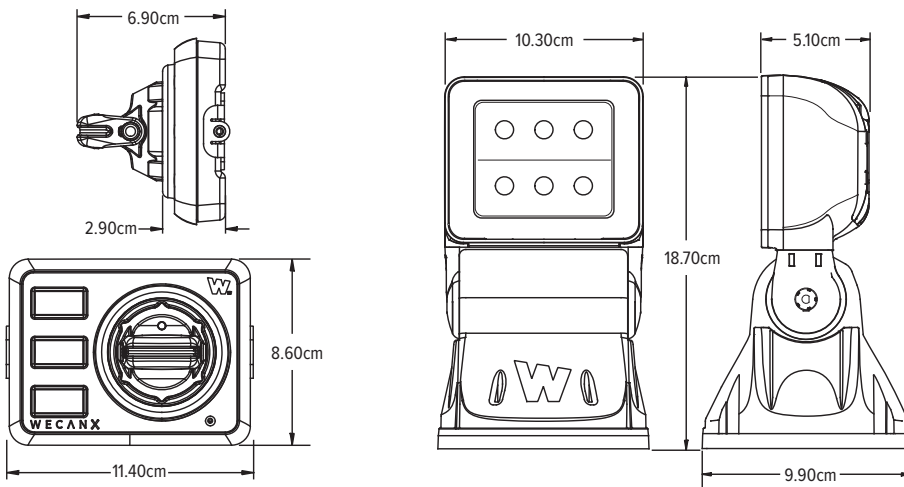


FEATURES

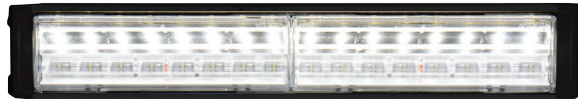
- Innovative mechanical design provides 360° of continuous rotation and a 180° tilt range
- ProFocus™ Models: 5° spot to 60° flood variable beam width
- Spotlight Models: 5° spot
- Proclera® Silicone Optics
- Black die-cast aluminum housing
- CenCom Core® and WeCanX® compatible
- Drivetrain is electronically and mechanically protected
- Arges installs quickly and requires no A-pillar drilling or airbag interference
- (2) 45.7cm power control harnesses and (1) 30.5cm communication cable included
- Control head features a paddle and 3 push-buttons
- Program Arges with Whelen Command® or use alone with its paired control head
- Full Arges system passes CISPR 25 Class 3



DIMENSIONS



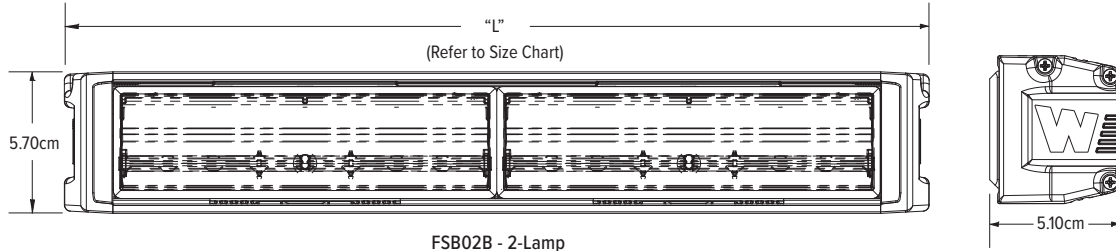
Field Series™ Brow Light



FEATURES

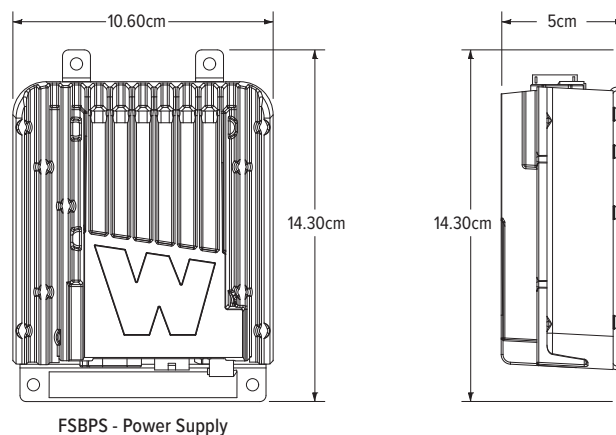
- Up to 13 lightheads per power supply in multiple configurations
- Field serviceable
- 10-30 VDC
- 8 total inputs
- Low current switching
- Variable power distribution
- Extruded aluminum Black or White powder-coated housing
- Hard-coated lenses resist environmental damage from sand, sun, salt, and road chemicals
- Scan-Lock™ capability for light ramp, power, and markers

DIMENSIONS



"L" Size Chart

35.10cm 2-lamp	50.80cm 3-lamp	66.30cm 4-lamp	81.80cm 5-lamp	97.50cm 6-lamp	113.10cm 7-lamp	153.90cm 8-lamp	144.10cm 9-lamp	159.80cm 10-lamp	175.30cm 11-lamp	190.80cm 12-lamp	206.50cm 13-lamp
-------------------	-------------------	-------------------	-------------------	-------------------	--------------------	--------------------	--------------------	---------------------	---------------------	---------------------	---------------------



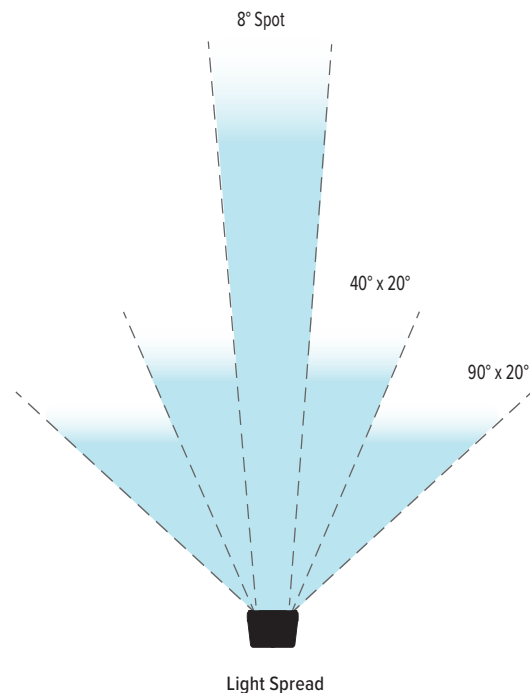
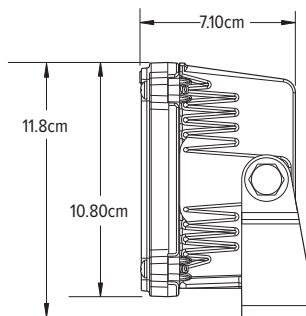
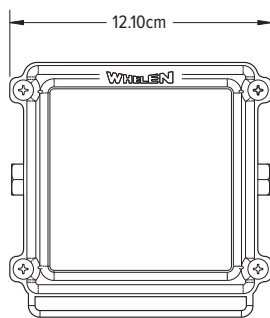
Pioneer Micro™



FEATURES

- 8° spotlight pattern comes standard. Includes 3 additional optic lenses for a light pattern choice of:
 - 90° x 20° wide flood
 - 40° x 20° standard flood
 - 40° x 8° narrow flood
- Optic lens changes easily via removable lens retainer
- Injection molded polycarbonate lenses are impact resistant
- Black or White die-cast aluminum powder-coated housing
- Solid-state electronics
- LEDs are instant On/Off, eliminating high inrush current and ramp-up time
- Correlated Color Temperature (CCT) of 5,700 Kelvin simulates bright midday light
- Hard-coated lenses resist environmental damage from sand, sun, salt, and road chemicals
- 1.83m cable included
- 5 mounts available:
 1. Powder-coated stainless steel bail bracket with 9.65mm stud carriage bolt mount
 2. Recessed 90° angle mount with Chrome flange
 3. Recessed 15° angle mount with Chrome flange
 4. Pole/pedestal mount with handle available with or without On/Off switch
 5. Low-profile pedestal mount available with Chrome or Black back cover, with or without On/Off switch

DIMENSIONS



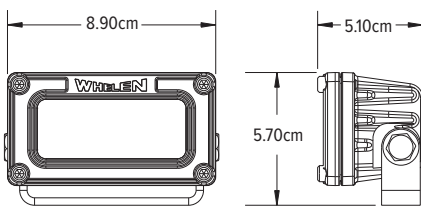
Pioneer Nano™



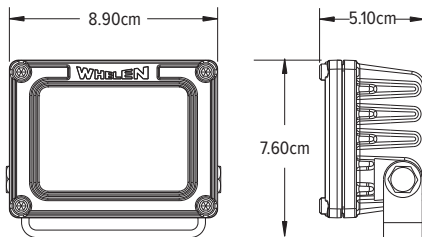
FEATURES

- 8° spotlight pattern comes standard. Includes additional optic lens for a light pattern of:
 - 40° x 20° flood
- Optic lens changes easily via removable lens retainer
- Injection molded polycarbonate lenses are impact resistant
- Black or White die-cast aluminum powder-coated housing
- Hard-coated lenses resist environmental damage from sand, sun, salt, and road chemicals
- Solid-state electronics
- LEDs are instant On/Off, eliminating high inrush current and ramp-up time
- Correlated Color Temperature (CCT) of 5,700 Kelvin simulates bright midday light
- 1.83m cable included
- Powder-coated stainless steel bail bracket with 9.65mm stud carriage bolt mount

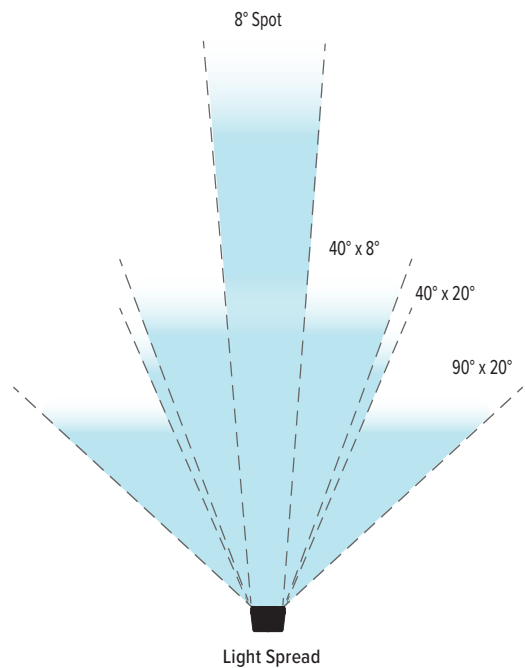
DIMENSIONS



Nano 3



Nano 6



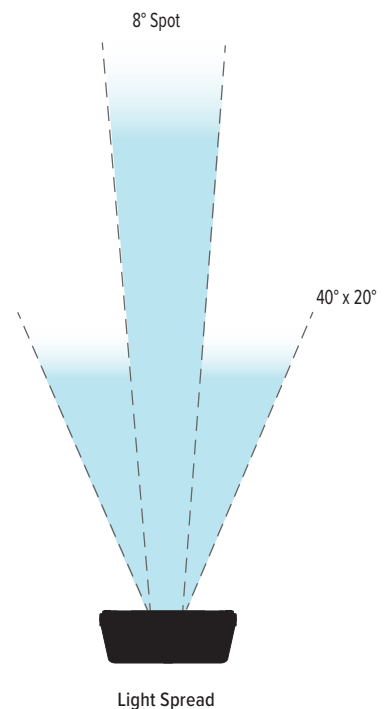
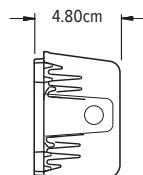
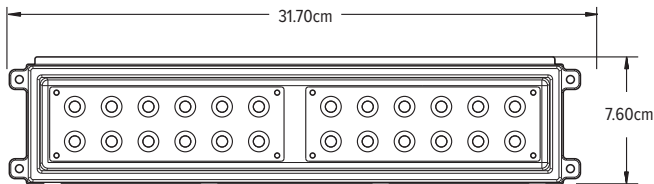
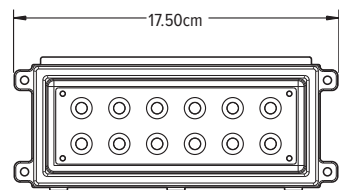
Pioneer SlimLine™



FEATURES

- Single or dual-lamp models available
- Single Lamp Models: 8° spotlight pattern comes standard
 - Includes additional 40° x 20° flood lens
- Dual Lamp Models: 8° spotlight pattern comes standard
- Includes 2 additional optic lenses for a light pattern choice of:
 - Dual 40° x 20° flood
 - 8° spot and 40° x 20° flood
- Optic lens changes easily via removable lens retainer
- Injection molded polycarbonate lenses are impact resistant
- Hard-coated lenses resist environmental damage from sand, sun, salt, and road chemicals
- Black or White die-cast aluminum powder-coated housing
- Solid-state electronics
- LEDs are instant On/Off, eliminating high inrush current and ramp-up time
- Correlated Color Temperature (CCT) of 5,700 Kelvin simulates bright midday light
- 1.83m cable included
- Powder-coated stainless steel bail bracket

DIMENSIONS



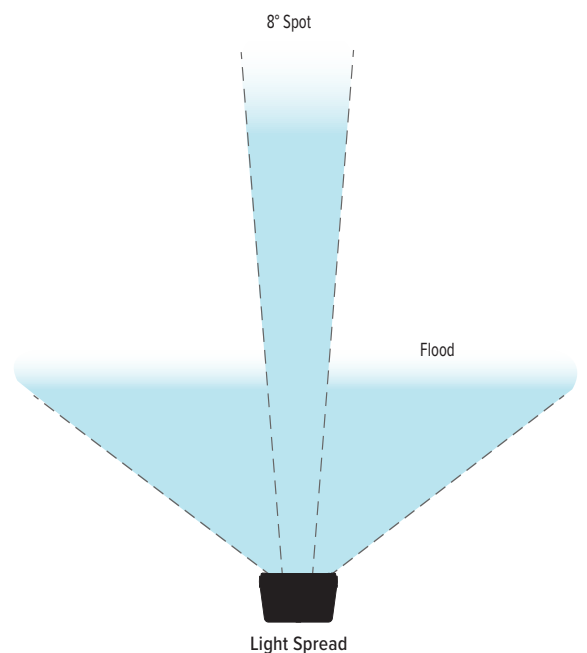
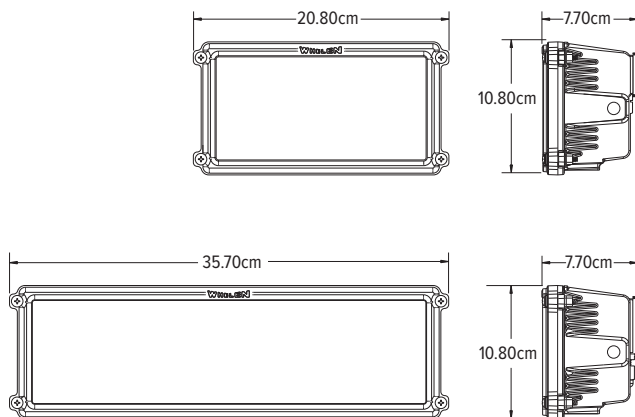
Pioneer Plus™



FEATURES

- Single or dual-lamp models available
- Pioneer Plus Combination Floodlight/Spotlight features Proclera® Optic Technology
- Injection molded polycarbonate lenses are impact resistant and hard-coated
- Black or White die-cast aluminum powder-coated housing
- Solid-state electronics
- Hard-coated lenses resist environmental damage from sand, sun, salt, and road chemicals
- LEDs are instant On/Off, eliminating high inrush current and ramp-up time
- Correlated Color Temperature (CCT) of 5,700 Kelvin simulates bright midday light
- Powder-coated stainless steel bail bracket
- DC models include 6.1m cable, AC models include 305mm wire leads

DIMENSIONS



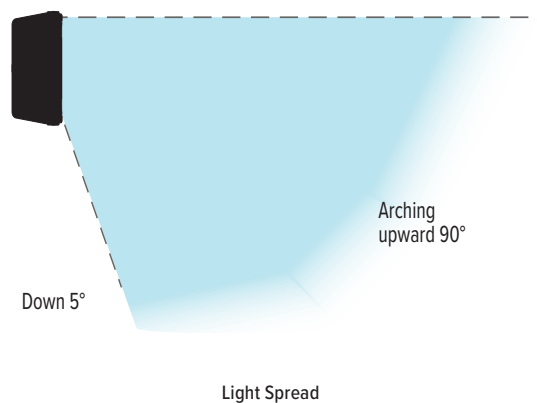
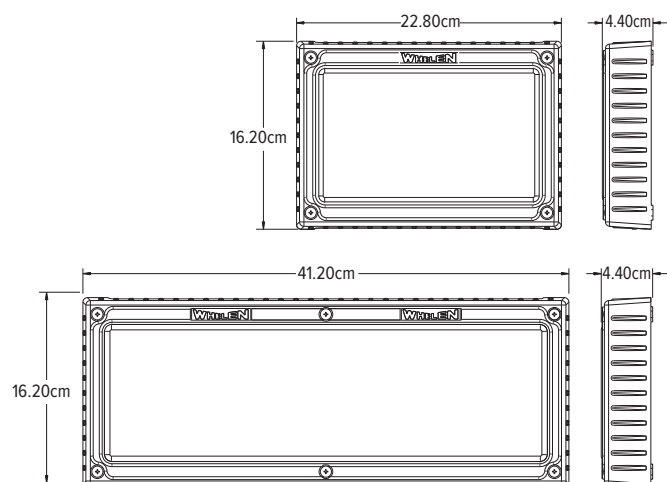
Pioneer Plus™ Surface Mount



FEATURES

- Single or dual-lamp models available
- Injection molded polycarbonate lenses are impact resistant
- Black or White die-cast aluminum powder-coated housing
- Solid-state electronics
- LEDs are instant On/Off, eliminating high inrush current and ramp-up time
- Correlated Color Temperature (CCT) of 5,700 Kelvin simulates bright midday light
- Hard-coated lenses resist environmental damage from sand, sun, salt, and road chemicals
- 1.83m cable included
- Surface mount:
 - Requires no body cut-outs
 - Built-in nylon screw grommets eliminate galvanic corrosion
 - Uniquely designed silicone grommet seals the 25.4mm wire entry into the body
 - Black or Chrome flange available

DIMENSIONS



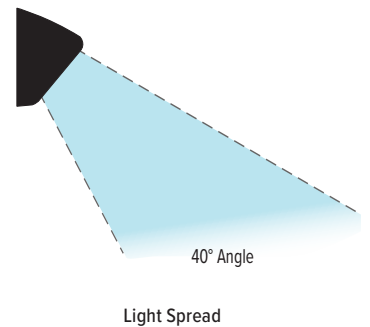
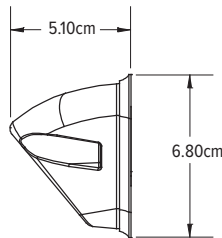
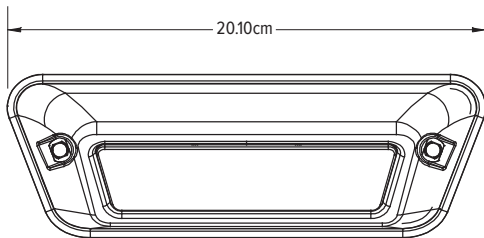
Perimeter Enhancement Light



FEATURES

- One- or two-color models available
- Fully encapsulated for moisture, vibration, and corrosion resistance
- Same mounting dimensions as original PEL models
- Light is projected downward at a 40° angle for widespread ground illumination
- Hard-coated lenses resist environmental damage from sand, sun, salt, and road chemicals
- E Block™ technology prevents air and moisture from entering the lighthouse
- Mounts to vertical surfaces and may be mounted inverted
- Molded rubber gaskets protect body panels
- Black, Chrome, Red, Yellow, or White flange available

DIMENSIONS



EUROPEAN CATALOGUE

PROFESSIONAL WARNING AND LIGHTING

UNECE R65 & R10 Compliant Products

Distributed by:

WHELEN[®]
ENGINEERING COMPANY INC.

@WhelenENG



NASCAR[™]
OFFICIAL WARNING LIGHTS

**PROUD TO BE
IN EUROPE**

Whelen Europe SP. Z O.O.
+48(77) 887-3800

Whelen Engineering reserves the
right to upgrade and improve
products without notice.

© 2024 Whelen Engineering Company,
Inc. Printed in U.S.A. and Europe
Code No. C13287D-10/24

All products proudly designed, manufactured, and assembled in
the U.S.A. Distribution and final assembly of products is completed
at Whelen's European facility. • ISO 9001 Registered QMS