

Edge[®] 9X Towman's[™] Series



LIGHTBAR DUO[™]

The Edge 9X Towman's Series lightbar is designed exclusively for the towing industry and features powerful DUO[™] and WeCanX[®] technology. This lightbar is configured to meet the unique needs of tow operators, providing enhanced visibility, flexibility, and safety on the road.

TALL TOWMAN'S WECANX EDGE 9X SERIES



9BT0KKKK
with MK20SP
Mounting Studs

SHORT TOWMAN'S WECANX EDGE 9X SERIES



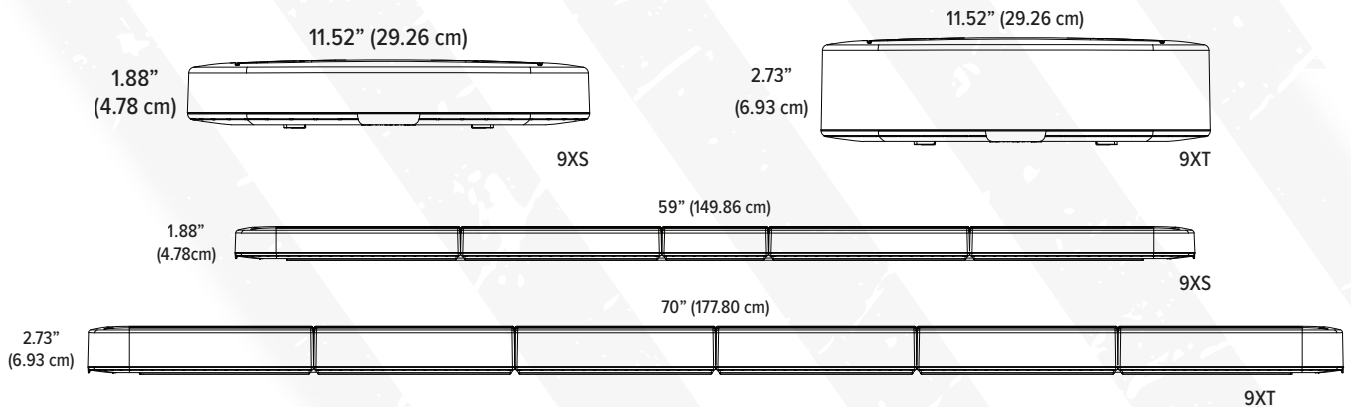
9BS0KKKK
with MK20SP
Mounting Studs

FEATURES

- DUO[™] Linear12[™] LED
- Hard-coated polycarbonate lenses resist environmental damage from sand, sun, salt, and road chemicals
- Photocell included
- Passenger side cable exit
- Advanced thermal design
- DUO Linear6[™] LED Warning and Scene Take-Down/Alley
- Molded polycarbonate top repels hail and other environmental damages
- Brake/Tail/Turn included
- MK20SP mounting studs included

SPECS

- Voltage: 12/24 VDC
- Certifications: SAE Class 1, California Title 13 ECE R65
- Dimensions: Short: 1.88" (4.78 cm) H x 11.52" (29.26 cm) W
Tall: 2.73" (6.93 cm) H x 11.52" (29.26 cm) W
- Warranty: 5-year (I/O board), 10-year (lighthoods)



WARNING: This product may contain chemicals known to the State of California to cause cancer and birth defects or other reproductive harm. For more information, visit wheLen.com/regulatory.

Download WeCad[™] for models and options



WHELEN
MANUFACTURED IN AMERICA

WHELEN ENGINEERING COMPANY, INC.





Edge® 9X Towman's™ Series

LIGHTBAR

Ordering Information: Company Name _____ PO# _____

1. Choose A Lightbar

Model	Description
<input type="checkbox"/> 9BS0FFFF	Short Edge 9XS 59" F/F/F/F Towman's Series
<input type="checkbox"/> 9BT0FFFF	Tall Edge 9XT 59" F/F/F/F Towman's Series
<input type="checkbox"/> 9BS7FFFF	Short Edge 9XS 70" F/F/F/F Towman's Series
<input type="checkbox"/> 9BT7FFFF	Tall Edge 9XT 70" F/F/F/F Towman's Series

F = Amber/White



2. Choose a Required Controller

Model	Description
<input type="checkbox"/> CCPTP1	Core® Control Point Tow Package 1 (Amber Primary)
<input type="checkbox"/> CCP9TP1	Core-C® Tow Package 1 (Amber Primary)

Control point works with user supplied switches.



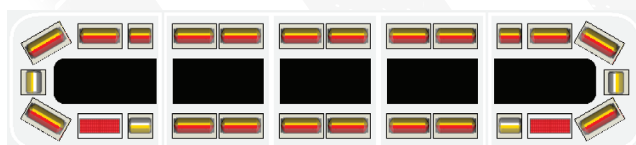
Core Control Point



Core-C

Model	Description
<input type="checkbox"/> 9BS0KKKK	Short Edge 9XS 59" K/K/K/K Towman's Series
<input type="checkbox"/> 9BT0KKKK	Tall Edge 9XT 59" K/K/K/K Towman's Series
<input type="checkbox"/> 9BS7KKKK	Short Edge 9XS 70" K/K/K/K Towman's Series
<input type="checkbox"/> 9BT7KKKK	Tall Edge 9XT 70" K/K/K/K Towman's Series

K = Red/Amber



Model	Description
<input type="checkbox"/> CCPTP2	Core Control Point Tow Package 2 (Amber Secondary)
<input type="checkbox"/> CCP9TP2	Core-C Tow Package 2 (Amber Secondary)

Control point works with user supplied switches.



Core Control Point



Core-C

Model	Description
<input type="checkbox"/> 9BS0KMMM	Short Edge 9XS 59" K/K/M/M Towman's Series
<input type="checkbox"/> 9BT0KMMM	Tall Edge 9XT 59" K/K/M/M Towman's Series
<input type="checkbox"/> 9BS7KMMM	Short Edge 9XS 70" K/K/M/M Towman's Series
<input type="checkbox"/> 9BT7KMMM	Tall Edge 9XT 70" K/K/M/M Towman's Series

K = Red/Amber M = Blue/Amber



Model	Description
<input type="checkbox"/> CCPTP2	Core Control Point Tow Package 2 (Amber Secondary)
<input type="checkbox"/> CCP9TP2	Core-C Tow Package 2 (Amber Secondary)

Control point works with user supplied switches.



Core Control Point



Core-C

Included Mounting

Model	Description
MK20SP	Mounting Kit 20 Slide Bolt Plastic

WHELEN ENGINEERING COMPANY, INC.



All products proudly designed, manufactured, and assembled in the U.S.A.

• ISO 9001 Registered QMS

Whelen Engineering reserves the right to upgrade and improve products without notice.
© 2025 Whelen Engineering Company, Inc. Printed in U.S.A.
Code No. P13547A - 02/2025

WHELEN
MANUFACTURED IN AMERICA

51 Winthrop Road
Chester, Connecticut 06412-0684
(860) 526-9504
www.whelen.com