

SCANport™

HARDWARE

SCANport is a groundbreaking solution that revolutionizes access to vehicle CAN signals enabling seamless automation within CenCom Core® control systems. SCANport uses a nonintrusive method to access CAN signals by monitoring traffic through cable jackets. Its unique clamshell design fits easily and snugly around the CAN cables to read CAN signals without any disruption to the cables themselves and without being physically connected to the vehicle's CANbus. With SCANport, a single harness can accommodate multiple vehicle makes, models, and years, eliminating the need for separate, vehicle-specific harnesses.

FEATURES

- Hardware support for Core®, Core-R®, Core-S®
- 15' Core interface cable and 1' Decoder/Sensor interconnect harness cable included
- SCANport is compatible with*:
 - 2023-2024 Chevy Silverado 1500 PPV
 - 2023-2024 Chevy Tahoe
 - 2023-2024 Ford Super Duty
 - 2023-2024 Ford Transit
 - 2024 Chevy Blazer EV PPV
 - 2024 Chevy Silverado HD
 - 2024 Ford F-150 Responder

*Please note, this list is subject to change. Please refer to Whelen's Vehicle Outfitter to determine if SCANport is compatible with your vehicle.

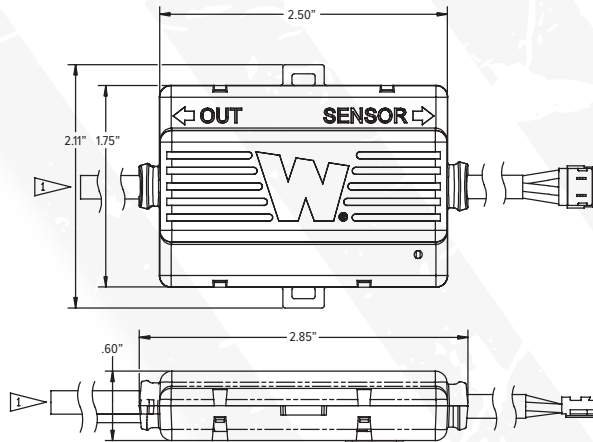


MODELS

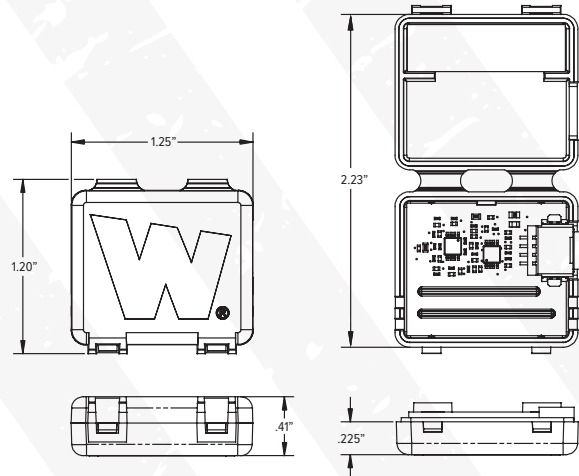
C399SP	SCANport Installation Kit for C399, See Vehicle Outfitter for Available Vehicle Make/Model/Year (Not for Use with Core-R and Core-S)
C399RSP	SCANport Installation Kit for C399R and C399S, See Vehicle Outfitter for Available Vehicle Make/Model/Year (Not for Use with Core C399)

SPECS

Voltage: 10-30 VDC
 Current: Running: 30mA at 12 VDC | 16mA at 24 VDC
 Sleeping: 2mA at 12 VDC | 1mA at 24 VDC
 Dimensions: Decoder: 1.25" (31.75mm) W x 1.20" (30.48mm) H x 0.41" (10.41mm) D
 Sensor: 2.50" (63.50mm) W x 1.75" (44.45mm) H x 0.60" (15.24mm) D
 Warranty: 5-year warranty



SCANport Decoder



SCANport Sensor

⚠ WARNING: This product may contain chemicals known to the State of California to cause cancer and birth defects or other reproductive harm. For more information, visit whelen.com/regulatory.

All products proudly designed, manufactured, and assembled in the U.S.A.
 • ISO 9001 Registered QMS

Whelen Engineering reserves the right to upgrade and improve products without notice.
 © 2024 Whelen Engineering Company, Inc. Printed in U.S.A.
 Code No. P13494B - 07/2024

WHELEN
 MANUFACTURED IN AMERICA

51 Winthrop Road
 Chester, Connecticut 06412-0684
 (860) 526-9504
www.whelen.com

WHELEN ENGINEERING COMPANY, INC.