

# SCANport™

## HARDWARE

SCANport is a groundbreaking solution that revolutionizes access to vehicle CAN signals enabling seamless automation within CenCom Core® control systems. SCANport uses a nonintrusive method to access CAN signals by monitoring traffic through cable jackets. Its unique clamshell design fits easily and snugly around the CAN cables to read CAN signals without any disruption to the cables themselves and without being physically connected to the vehicle's CANbus. With SCANport, a single harness can accommodate multiple vehicle makes, models, and years, eliminating the need for separate, vehicle-specific harnesses.



## FEATURES

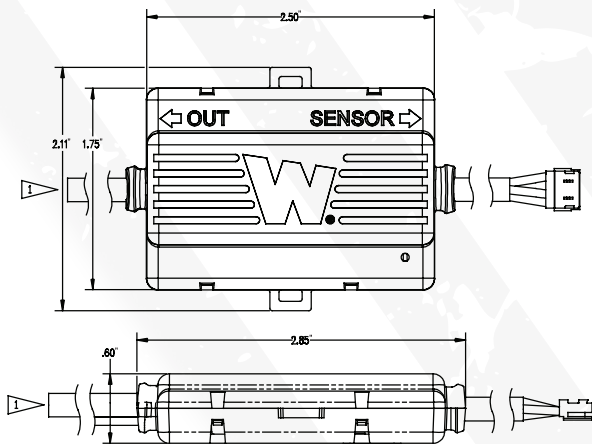
- Hardware support for Core™, Core-R™, Core-S™
- 15' Core interface cable and 1' Decoder/Sensor interconnect harness cable included

## SPECS

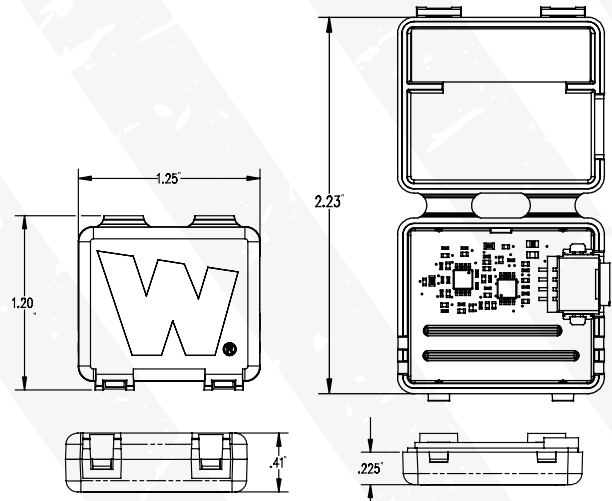
- Voltage: 10-30 VDC  
 Current: Running: 30mA at 12 VDC | 16mA at 24 VDC  
 Sleeping: 2mA at 12 VDC | 1mA at 24 VDC  
 Dimensions:  
 Decoder: 1.25" (31.75mm) W x 1.20" (30.48mm) H x 0.41" (10.41mm) D  
 Sensor: 2.50" (63.50mm) W x 1.75" (44.45mm) H x 0.60" (15.24mm) D  
 Warranty: 5-year

## MODELS

<b>C399SP</b>	SCANPort Installation Kit for C399, See Vehicle Outfitter for available vehicle Make/Model/Year (Not for use with Core-R and Core-S)
<b>C399RSP</b>	SCANPort Installation Kit for C399R and C399S, See Vehicle Outfitter for available vehicle Make/Model/Year (Not for use with Core C399)



SCANport Sensor



SCANport Decoder

**⚠ WARNING:** This product may contain chemicals known to the State of California to cause cancer and birth defects or other reproductive harm. For more information, visit [whelen.com/regulatory](http://whelen.com/regulatory).

WHELEN ENGINEERING COMPANY, INC.

All products proudly designed, manufactured, and assembled in the U.S.A.  
 • ISO 9001 Registered QMS

Whelen Engineering reserves the right to upgrade and improve products without notice.  
 © 2024 Whelen Engineering Company, Inc. Printed in U.S.A.  
 Code No. P13494A - 04/2024

**WHELEN**  
 MANUFACTURED IN AMERICA

51 Winthrop Road  
 Chester, Connecticut 06412-0684  
 (860) 526-9504  
[www.whelen.com](http://www.whelen.com)