

WARNING LIGHT

The VXE Warning Light sets a new standard for emergency vehicle lighting, providing a perfect balance of discretion with high visibility. Its streamlined design seamlessly integrates into a vehicle's exterior for a clean and unobtrusive appearance, ensuring that emergency vehicles maintain a sleek aesthetic without compromising visibility. VXE comes with DUO™ and TRIO™ functionality with SAE Class 1 Certification. The compact 1-inch mounting grommet makes it easy to install in various places on a vehicle, such as bumpers, rear hatches, or sides.



VX2M

FEATURES

- DUO™ and TRIO™ functionality
 - DUO: 8 LEDs
 - TRIO: 12 LEDs
- Directional light output
- Steady only
- Compatible with ULF44 flasher
- Low profile/small design
- 1" diameter industry standard mounting utilizing grommet
- Smoked or Clear lens
- Core® control system compatibilities:
 - Core and Core-S®
 - Core-R® and Core-C® (CEM16 required, purchased separately)
- 9" pigtail included

SPECS

Voltage: 10-30 VDC
 Amps: 0.83 (peak), 0.52 (avg.)
 Certifications: SAE Class 1, CA Title 13, IP67
 Dimensions: 1.35" (34mm) W x 1.40" (36mm) H x 0.30" (8mm) D, 1" (25mm) Dia.
 Operating Temperature: -40°C to 65°C
 Warranty: 10-year warranty

MODELS

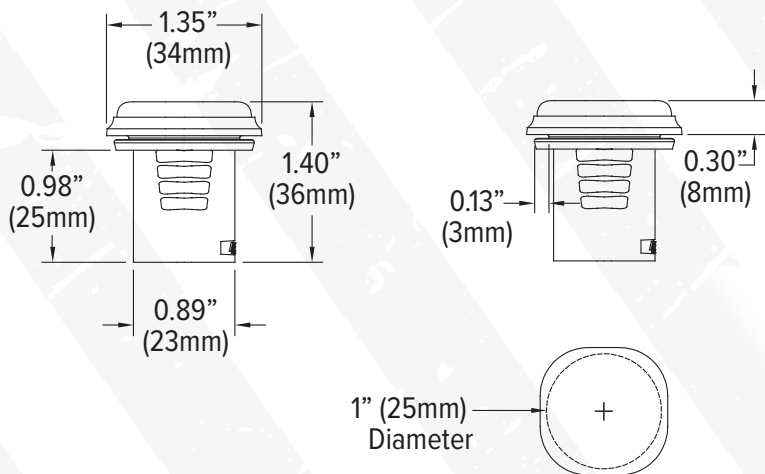
VX2#	Directional DUO Lighthouse, Amber, Blue, Green, Red, and/or White
VX3***	Directional TRIO Lighthouse, Amber, Blue, Green, Red, and/or White
VX2#X	Directional DUO Lighthouse, Amber, Blue, Green, Red, and/or White with Smoked Lens
VX3***X	Directional TRIO Lighthouse, Amber, Blue, Green, Red, and/or White with Smoked Lens



Replace # symbol in model number with letter indicating DUO colors desired:
 D = Red/White, E = Blue/White, F = Amber/White, J = Red/Blue, K = Red/Amber, L = Red/Green, M = Blue/Amber, N = Blue/Green, P = Amber/Green
 Replace *** symbol in model number with letter indicating TRIO colors desired:
 RBA = Red/Blue/Amber, RBC = Red/Blue/White, RBG = Red/Blue/Green, RAC = Red/Amber/White, RAG = Red/Amber/Green, RGC = Red/Green/White, BAC = Blue/Amber/White, BAG = Blue/Amber/Green, BGC = Blue/Green/White, GAC = Green/Amber/White



VX3RGC



⚠ WARNING: This product may contain chemicals known to the State of California to cause cancer and birth defects or other reproductive harm. For more information, visit whelen.com/regulatory.